



## Message Implementation Guideline

# CUSCAR

based on

## CUSCAR

Customs cargo report message

## UN D.16A S4

Version: 2  
Variant: 1  
Issue date: 2019/04/24  
Author: SARS EDI TEAM

### Change Log:

- 1.3.a - All country codes for road changed from 3 to 2 characters (Country Of Residence, Nationality, Travel Document Country Of Issue)
  - 1.3.b - Qualifier for Place of Despatch changed to from 76 to 80
  - 1.4.a - UNH change EDIFACT directory from D.16B to D.16A
  - 1.4.b - RFF+FW (Freight Forwarder) Name & Address Line 1 "C" for ALM changed to "O"
  - 1.4.c - TDT 1131 changed qualifier from 130 to 103
  - 1.4.d - TMP 6246 changed format from "an..3" to "n..3"
  - 1.4.e - NAD RL,FZ,MS 3055 missing qualifiers added 20,166,ZZZ,3
  - 1.5.a - DEPOT OF UNPACK format changed from "an..35" to "an..17"
  - 1.5.b - PRINCIPAL CARRIER CONVEYANCE NUMBER format changed from "an..35" to "an..17"
  - 1.5.c - TRANSPORT CODE format changed from "an..2" to "an..3"
  - 1.5.d - COMMODITY CODE NUMBER RFM changed from "O" to "C"
  - 1.5.e - DESCRIPTION OF GOODS - 1 RFM changed from "M" to "C"
  - 1.5.f - CONSIGNOR POSTAL ADDRESS LINE-1 changed from "M" to "O"
  - 1.5.g - CONSIGNEE POSTAL ADDRESS LINE-1 changed from "M" to "O"
  - 1.5.h - CONSIGNOR PHYSICAL ADDRESS LINE - 1 changed from "O" to "M"
  - 1.5.i - CONSIGNEE PHYSICAL ADDRESS LINE - 1 changed from "O" to "M"
  - 1.5.j- Added omitted TRAVEL DOCUMENT TYPE
  - 1.5.k - SEAL NUMBER - 1 For RFM changed from "M" to "C"
  - 1.5.l - FREIGHT FORWARDER NAME & ADDRESS - ALM changed from "C" to "O"
  - 1.5.m - CARGO CARRIER CODE - ALM changed from "M" to "C"
-

- 
- 1.5.n - CONTAINER STATUS - Added Business Rules  
Separate CUSCAR messages per transshipment must be provided.  
Import manifests may not have transshipment containers.
  - 1.6.a - TERMINAL OF DISCHARGE - Rule changed  
FROM: For INBOUND manifest, the following rules apply:  
If ALM, BBB and FWB - Terminal of Discharge is Mandatory  
TO: For INBOUND manifest, the following rules should apply:  
If BBB and FWB, HAB - Terminal of Discharge is Mandatory, Depot of unpack is Optional  
If ALH, COH, - Depot of Unpack is Mandatory, Terminal of Discharge is Mandatory
  - 1.6.b - Example for Driver / Crew / Passenger Details changed to include Travel Document Type,  
Travel Document Expiry Date and Date of Birth added and country codes 2 alpha.
  - 1.6.c - UCR may contain "Not Available" if not known
  - 1.6.d - EQD CONTAINER SIZE/TYPE changed to an..4 and example corrected.
  - 1.7.a - DESCRIPTION OF GOODS 1 to 5, corrected to max length 70
  - 1.7.b - VGM remove M for RMA and RFM on MEA level
  - 1.7.c - BILL OF LADING INDICATOR business rules changed to clarify use of PBL and BOL
  - 1.7.d - SERVICE TYPE code descriptions made more explicit
  - 1.7.e - DEPOT OF UNPACK Optional for COH and ALH
  - 1.7.f - TERMINAL OF DISCHARGE optional for COH. BBB,FWB, HAB and ALH
  - 1.7.g - DEPARTURE DATE not applicable for RFM
  - 1.7.h - PLACE OF EXIT conditionality removed for BBB and ALM
  - 1.7.i - MANIFEST LINE ITEM NUMBER RFM = O and AQM = M
  - 2.0.a - SEAL TYPE added to SEL segment
  - 2.0.b - CONVEYANCE NUMBER (TDT-8028) mandatory for RMA
  - 2.0.c - ESTIMATED DATE/TIME OF ARRIVAL (DTM+232) conditional for RMA
  - 2.0.d - LRN Entry / Exit business rule added. "All part-shipments for a single movement will refer to the same LRN.  
LRN may only be reused if marked for Part-shipment." [implementation TBD]
  - 2.0.e - UCR (as has a one to one relationship with customs declaration) is only applicable on lowest level bill  
value should be "NOT DECLARATION LEVEL BILL" if not lowest level bill.
  - 2.1.a - For RMA, ESTIMATED DATE/TIME OF ARRIVAL made not applicable and ESTIMATED DATE OF Arrival made Conditional
  - 2.2.a - For COH, DEPOT OF UNPACK made Optional

1 Message Structure.....	3
2 Branching Diagram .....	6
3 Segments .....	12

---

## Structure / Table of Contents

Counter	No	Tag	St	MaxOcc	Level	Content
0000	1	<b>UNB</b>	M	1	0	Interchange header
0010	2	<b>UNH</b>	M	1	0	Message header
0020	3	<b>BGM</b>	M	1	0	Beginning of message
0030	4	<b>DTM</b>	C	9	1	Document Date
0030	5	<b>DTM</b>	C	9	1	Departure Date
0060		<b>SG1</b>	C	99	1	Document to be amended
0070	6	<b>RFF</b>	M	1	1	Reference
0060		<b>SG1</b>	C	99	1	External Reference
0070	7	<b>RFF</b>	M	1	1	Reference
0060		<b>SG1</b>	C	99	1	CARN
0070	8	<b>RFF</b>	M	1	1	Reference
0060		<b>SG1</b>	C	99	1	Principal Carrier Conveyance Number
0070	9	<b>RFF</b>	M	1	1	Reference
0090		<b>SG2</b>	M	1	1	Master Cargo Carrier Details
0100	10	<b>NAD</b>	M	1	1	Name and address
0090		<b>SG2</b>	C	99	1	Cargo Carrier Details
0100	11	<b>NAD</b>	M	1	1	Name and address
0090		<b>SG2</b>	M	99	1	Message Sender Details
0100	12	<b>NAD</b>	M	1	1	Name and address
0090		<b>SG2</b>	C	99	1	Foreign Remover Details
0100	13	<b>NAD</b>	M	1	1	Name and address
0090		<b>SG2</b>	C	10	1	Driver / Crew / Passenger Details
0100	14	<b>NAD</b>	M	1	1	Name and address
0090		<b>SG2</b>	C	99	1	Principal Carrier Details
0100	15	<b>NAD</b>	M	1	1	Name and address
0160		<b>SG4</b>	M	9	1	Main Carriage Details
0170	16	<b>TDI</b>	M	1	1	Transport information
0180	17	<b>LOC</b>	C	99	2	Place of Discharge
0180	18	<b>LOC</b>	C	99	2	Country of Export
0180	19	<b>LOC</b>	C	99	2	Country of Destination
0180	20	<b>LOC</b>	C	99	2	Border Post
0180	21	<b>LOC</b>	C	99	2	Place of Exit
0180	22	<b>LOC</b>	C	99	2	Place of Loading
0190	23	<b>DTM</b>	C	99	2	Estimated Date Time of Arrival
0190	24	<b>DTM</b>	C	99	2	Estimated Date of Arrival
0190	25	<b>DTM</b>	C	99	2	Estimated Date Time of Loading
0160		<b>SG4</b>	M	9	1	Transshipment Details

Counter = Counter of segment/group within the standard  
 No = Consecutive segment number  
 MaxOcc = Maximum occurrence of the segment/group

St = Status  
 EDIFACT: M=Mandatory, C=Conditional  
 User specific: R=Required, O=Optional, D=Dependent,  
 A=Advised, N=Not used

Counter	No	Tag	St	MaxOcc	Level	Content
0170	26	TDT	M	1	1	Transport information
0190	27	DTM	C	99	2	Date/time/period
0200	28	GEI	C	9	1	Manifest Type
0200	29	GEI	C	9	1	Cargo Type
0200	30	GEI	C	9	1	Call Purpose
0200	31	GEI	C	9	1	Transshipment Indicator
0210		SG5	C	9999	1	EQD-MEA-MEA-SEL-SG6
0220	32	EQD	M	1	1	Equipment details
0240	33	MEA	C	9	2	Gross Mass
0240	34	MEA	C	9	2	Verified Gross Mass
0260	35	SEL	C	4	2	Seal number
0300		SG6	C	1	2	TMP
0310	36	TMP	M	1	2	Temperature
0330	37	CNT	C	9	1	Control total
0340		SG7	C	9999	1	CNI-CNT-SG8
0350	38	CNI	M	1	1	Consignment information
0360	39	CNT	C	1	2	Control total
0370		SG8	C	9999	2	RFF-LOC-LOC-LOC-LOC-LOC-LOC-LOC-LOC-GEI-SG9-SG11-SG11-SG11-SG11-SG14
0380	40	RFF	M	1	2	Reference
0410	41	LOC	C	99	3	Final Destination
0410	42	LOC	C	99	3	Place of Loading
0410	43	LOC	C	99	3	Original Place of Loading
0410	44	LOC	C	99	3	Place of Dispatch
0410	45	LOC	C	99	3	Forwarding Location
0410	46	LOC	C	99	3	Destination Location
0410	47	LOC	C	99	3	Depot of Unpack
0410	48	LOC	C	99	3	Terminal of Discharge
0420	49	GEI	C	9	3	Processing information
0450		SG9	C	9	3	TDT-SG10-SG10-SG10-SG10
0460	50	TDT	M	1	3	Transport information
0500		SG10	C	1	4	LRN Exit
0510	51	RFF	M	1	4	LRN Exit
0500		SG10	C	1	4	LRN / MRN Entry
0510	52	RFF	M	1	4	LRN / MRN Entry
0500		SG10	C	1	4	Previous Modality Transport Document Number
0510	53	RFF	M	1	4	Previous Modality Transport Document
0500		SG10	C	9	4	UCR
0510	54	RFF	M	1	4	UCR

Counter = Counter of segment/group within the standard  
 No = Consecutive segment number  
 MaxOcc = Maximum occurrence of the segment/group

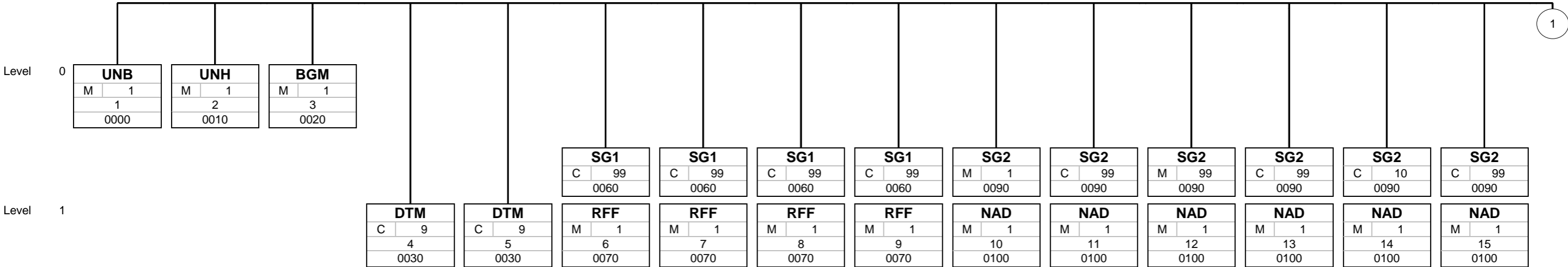
St = Status  
 EDIFACT: M=Mandatory, C=Conditional  
 User specific: R=Required, O=Optional, D=Dependent,  
 A=Advised, N=Not used

Counter	No	Tag	St	MaxOcc	Level	Content
0530		<b>SG11</b>	C	1	3	Consignor Details
0540	55	<b>NAD</b>	M	1	3	Consignor Details
0530		<b>SG11</b>	C	1	3	Consignee Details
0540	56	<b>NAD</b>	M	1	3	Consignee Details
0530		<b>SG11</b>	C	1	3	Freight Forwarder Details
0540	57	<b>NAD</b>	M	1	3	Freight Forwarder Details
0530		<b>SG11</b>	C	99	3	Notify Party 1 Details
0540	58	<b>NAD</b>	M	1	3	Notify Party 1 Details
0530		<b>SG11</b>	C	99	3	Notify Party 2 Details
0540	59	<b>NAD</b>	M	1	3	Notify Party 2 Details
0630		<b>SG14</b>	M	9999	3	GID-FTX-MEA-MEA-SGP-DGS-PCI-CST
0640	60	<b>GID</b>	M	1	3	Goods item details
0670	61	<b>FTX</b>	C	99	4	Goods Description
0680	62	<b>MEA</b>	C	99	4	Gross Volume
0680	63	<b>MEA</b>	C	99	4	Gross Mass
0700	64	<b>SGP</b>	C	9999	4	Split goods placement
0710	65	<b>DGS</b>	C	1	4	Dangerous goods
0720	66	<b>PCI</b>	C	1	4	Marks and Numbers
0730	67	<b>CST</b>	C	1	4	Customs status of goods
0890	68	<b>UNT</b>	M	1	0	Message trailer
0000	69	<b>UNZ</b>	M	1	0	Interchange trailer

Counter = Counter of segment/group within the standard  
 No = Consecutive segment number  
 MaxOcc = Maximum occurrence of the segment/group

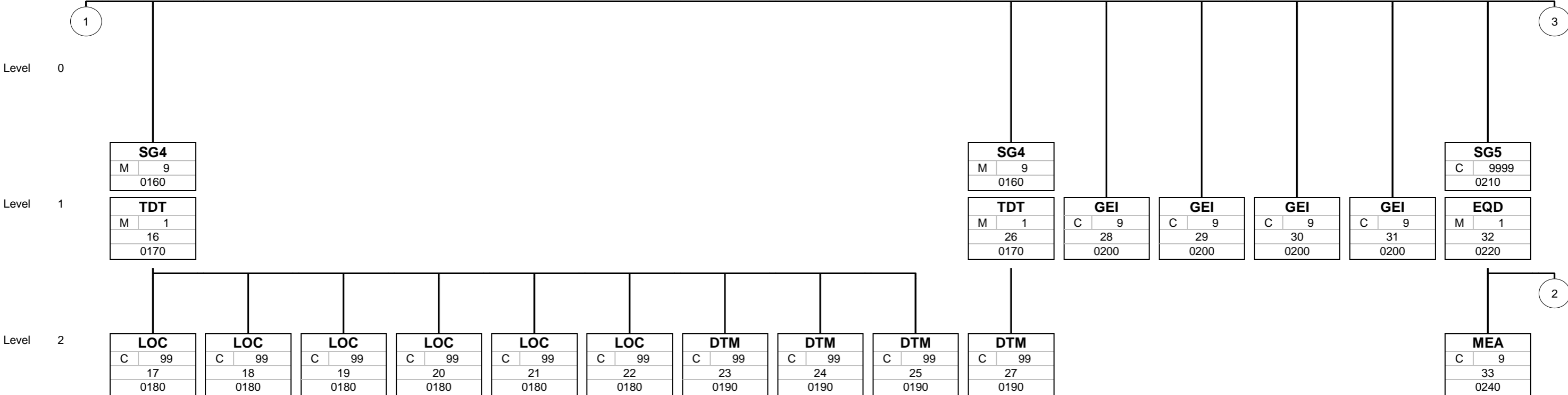
St = Status  
 EDIFACT: M=Mandatory, C=Conditional  
 User specific: R=Required, O=Optional, D=Dependent,  
 A=Advised, N=Not used

**Branching Diagram of Used Segments/Groups**



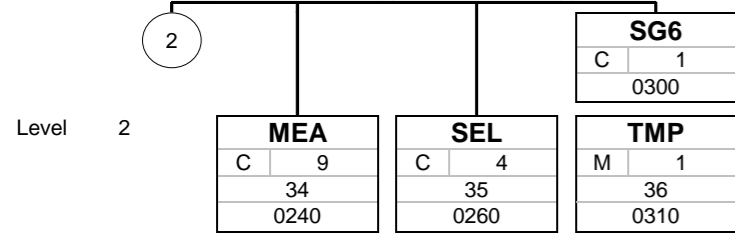
Tag
St MaxOcc
No
Counter

Tag = Segment/Group Tag  
 St = Status (M=Mandatory, C=Conditional, R=Required, O=Optional, A=Advised, D=Dependent)  
 MaxOcc = Maximum occurrence of the segment/group  
 No = Consecutive segment number  
 Counter = Counter of segment/group within the standard



Tag
St MaxOcc
No
Counter

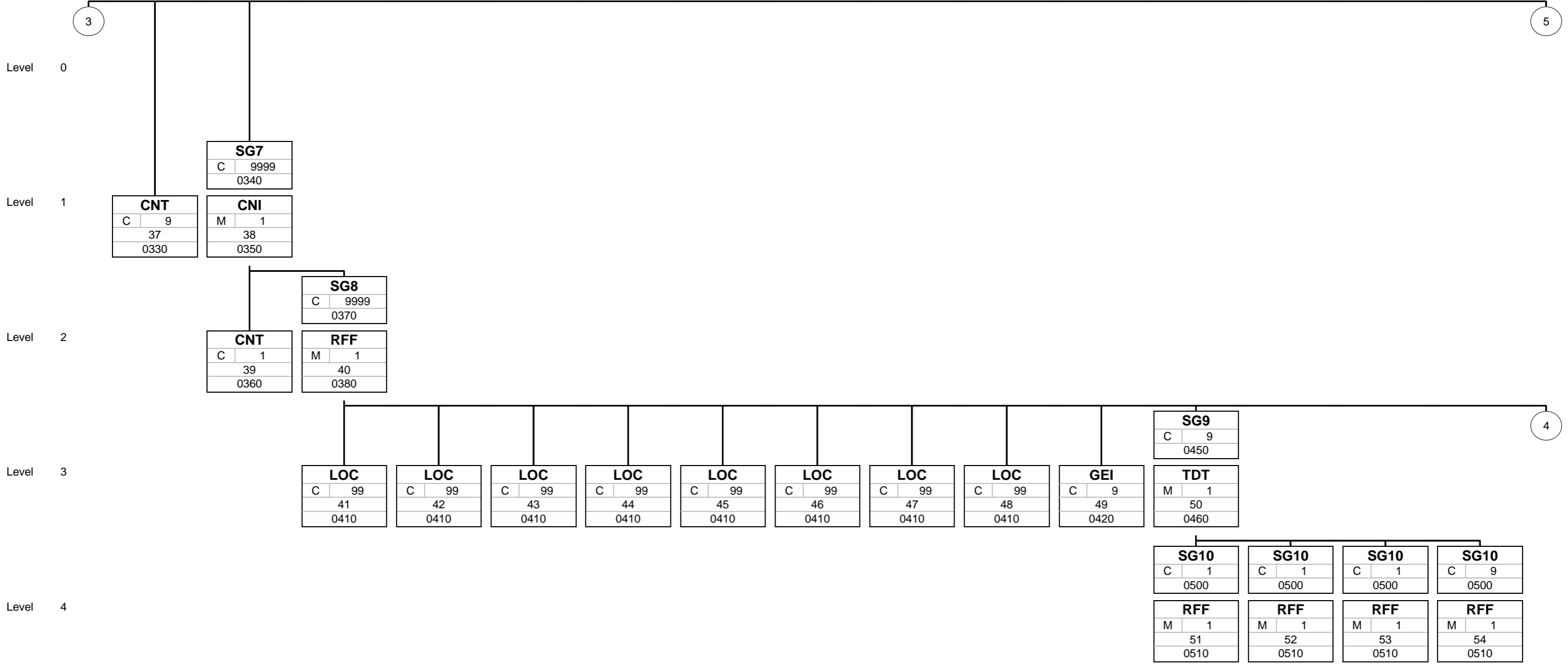
Tag = Segment/Group Tag  
 St = Status (M=Mandatory, C=Conditional, R=Required, O=Optional, A=Advised, D=Dependent)  
 MaxOcc = Maximum occurrence of the segment/group  
 No = Consecutive segment number  
 Counter = Counter of segment/group within the standard



Tag
St MaxOcc
No
Counter

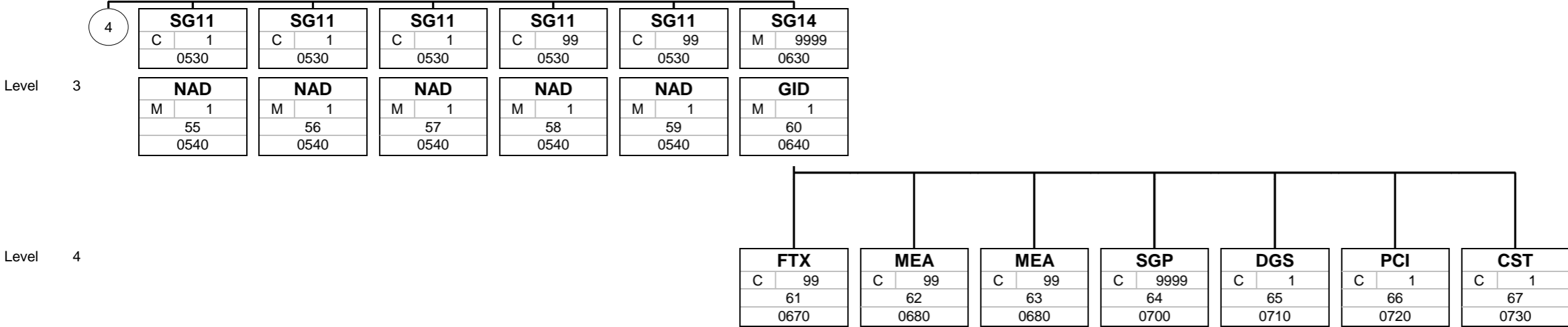
Tag = Segment/Group Tag  
 St = Status (M=Mandatory, C=Conditional, R=Required, O=Optional, A=Advised, D=Dependent)  
 MaxOcc = Maximum occurrence of the segment/group  
 No = Consecutive segment number  
 Counter = Counter of segment/group within the standard





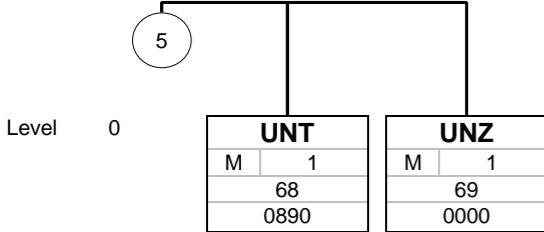
Tag
St MaxOcc
No
Counter

Tag = Segment/Group Tag  
 St = Status (M=Mandatory, C=Conditional, R=Required, O=Optional, A=Advised, D=Dependent)  
 MaxOcc = Maximum occurrence of the segment/group  
 No = Consecutive segment number  
 Counter = Counter of segment/group within the standard



Tag
St MaxOcc
No
Counter

Tag = Segment/Group Tag  
 St = Status (M=Mandatory, C=Conditional, R=Required, O=Optional, A=Advised, D=Dependent)  
 MaxOcc = Maximum occurrence of the segment/group  
 No = Consecutive segment number  
 Counter = Counter of segment/group within the standard



Tag
St MaxOcc
No
Counter

Tag = Segment/Group Tag  
 St = Status (M=Mandatory, C=Conditional, R=Required, O=Optional, A=Advised, D=Dependent)  
 MaxOcc = Maximum occurrence of the segment/group  
 No = Consecutive segment number  
 Counter = Counter of segment/group within the standard

Segments

Counter No	Tag	St	MaxOcc	Level	Name
------------	-----	----	--------	-------	------

0000 1 **UNB** M 1 0 Interchange header

		Standard	Implementation														Business Rules
Tag	Name	St Format	St Format	Usage / Remark	COM	COH	BBB	ECL	FFM	FWB	HAB	RMA	RFM	AQM	ALM	ALH	
UNB					M	M	M	M	M	M	M	M	M	M	M	M	
<b>S001</b>	<b>Syntax identifier</b>	<b>M</b>	<b>M</b>														
0001	Syntax identifier	M a4	M a..4	<b>UNOB = UN/ECE level B</b>	M	M	M	M	M	M	M	M	M	M	M	M	
0002	Syntax version number	M an1	M an..1	<b>4 = Version 4</b>	M	M	M	M	M	M	M	M	M	M	M	M	
0080	Service code list directory version number	C an..6	N	Not used													
0133	Character encoding, coded	C an..3	N	Not used													
0076	Syntax release number	C an2	N	Not used													
<b>S002</b>	<b>Interchange sender</b>	<b>M</b>	<b>M</b>														
0004	Interchange sender identification	M an..35	M an..35	SARS assigned EDI Profile Code including dual code (if applicable)	M	M	M	M	M	M	M	M	M	M	M	M	
0007	Identification code qualifier	C an..4	N	Not used													
0008	Interchange sender internal identification	C an..35	C an..16	Authentication code provided by SARS for EDI profile	M	M	M	M	M	M	M	M	M	M	M	M	
0042	Interchange sender internal sub-identification	C an..35	M an..6	SARS assigned Service Provider Code (Char 1-3) Comms Protocol Code (Char 4-6) <b>AS2 = AS/2</b> <b>AS3 = AS/3</b> <b>400 = X.400</b>	M	M	M	M	M	M	M	M	M	M	M	M	
<b>S003</b>	<b>Interchange recipient</b>	<b>M</b>	<b>M</b>														
0010	Interchange recipient identification	M an..35	M an..35	<b>SARSCAR = Production System</b> <b>SARSCART = Test System</b>	M	M	M	M	M	M	M	M	M	M	M	M	
0007	Identification code qualifier	C an..4	N	Not used													
0014	Interchange recipient internal identification	C an..35	N	Not used													
0046	Interchange recipient internal sub-identification	C an..35	N	Not used													
<b>S004</b>	<b>Date and time of preparation</b>	<b>M</b>	<b>M</b>														
0017	Date	M n8	M n..8		M	M	M	M	M	M	M	M	M	M	M	M	
0019	Time	M n4	M n..4		M	M	M	M	M	M	M	M	M	M	M	M	
0020	Interchange control reference	M an..14	M an..14		M	M	M	M	M	M	M	M	M	M	M	M	
<b>S005</b>	<b>Recipient reference/ password details</b>	<b>C</b>	<b>N</b>														
0022	Recipient reference/password	M an..14	N	Not used													
0025	Recipient reference/password qualifier	C an2	N	Not used													
0026	Application reference	C an..14	C an..14		O	O	O	O	O	O	O	O	O	O	O	O	
0029	Processing priority code	C a1	C a..1														
0031	Acknowledgement request	C n1	C n..1														
0032	Interchange agreement identifier	C an..35	C an..35	<b>Required for X.400</b>	C	C	C	C	C	C	C	C	C	C	C	C	
0035	Test indicator	C n1	C n..1	<b>Required for Test 1 = Interchange is a test</b> Omit if Production	C	C	C	C	C	C	C	C	C	C	C	C	

Remark:

Example:

UNB+UNOB:4+12345678ABC::ABCDEFGHIJKLMNPO:SPCAS2+SARSCAR+20170619:1351+1234567890++CUSCAR++1++1'

No = Consecutive segment number  
 MaxOcc = Maximum occurrence of the segment/group  
 Counter = Counter of segment/group within the standard  
 St = Status  
 EDIFACT: M=Mandatory, C=Conditional  
 User specific: M=Mandatory, O=Optional, C=Conditional

Counter No	Tag	St	MaxOcc	Level	Name	
0010	2	<b>UNH</b>	M	1	0	Message header

		Standard	Implementation														
Tag	Name	St Format	St Format	Usage / Remark	COM	COH	BBB	ECL	FFM	FWB	HAB	RMA	RFM	AQM	ALM	ALH	Business Rules
UNH					M	M	M	M	M	M	M	M	M	M	M	M	
0062	Message reference number	M an..14	M an..14		M	M	M	M	M	M	M	M	M	M	M	M	
<b>S009</b>	<b>Message identifier</b>	<b>M</b>	<b>M</b>														
0065	Message type	M an..6	M an..6	<b>CUSCAR</b> = Customs cargo report message	M	M	M	M	M	M	M	M	M	M	M	M	
0052	Message version number	M an..3	M an..3	<b>D</b> = Draft version/UN/EDIFACT Directory	M	M	M	M	M	M	M	M	M	M	M	M	
0054	Message release number	M an..3	M an..3	<b>16A</b> = Release 2016 - A	M	M	M	M	M	M	M	M	M	M	M	M	
0051	Controlling agency, coded	M an..3	M an..3	<b>UN</b> = UN/CEFACT	M	M	M	M	M	M	M	M	M	M	M	M	
0057	Association assigned code	C an..6	C an..6	<b>RCG001</b> = SARS RCG Version 1	M	M	M	M	M	M	M	M	M	M	M	M	
0110	Code list directory version number	C an..6	N	Not used													
0113	Message type sub-function identification	C an..6	N	Not used													
0068	Common access reference	C an..35	N	Not used													
<b>S010</b>	<b>Status of the transfer</b>	<b>C</b>	<b>N</b>														
0070	Sequence of transfers	M n..2	N	Not used													
0073	First and last transfer	C a1	N	Not used													
<b>S016</b>	<b>Message subset identification</b>	<b>C</b>	<b>N</b>														
0115	Message subset identification	M an..14	N	Not used													
0116	Message subset version number	C an..3	N	Not used													
0118	Message subset release number	C an..3	N	Not used													
0051	Controlling agency, coded	C an..3	N	Not used													
<b>S017</b>	<b>Message implementation guideline identification</b>	<b>C</b>	<b>N</b>														
0121	Message implementation guideline identification	M an..14	N	Not used													
0122	Message implementation guideline version number	C an..3	N	Not used													
0124	Message implementation guideline release number	C an..3	N	Not used													
0051	Controlling agency, coded	C an..3	N	Not used													
<b>S018</b>	<b>Scenario identification</b>	<b>C</b>	<b>N</b>														
0127	Scenario identification	M an..14	N	Not used													
0128	Scenario version number	C an..3	N	Not used													
0130	Scenario release number	C an..3	N	Not used													
0051	Controlling agency, coded	C an..3	N	Not used													

Remark:

Example:

UNH+1212121212+CUSCAR:D:16A:UN:RCG001'

Counter No	Tag	St	MaxOcc	Level	Name	
0020	3	<b>BGM</b>	M	1	0	Beginning of message

		Standard	Implementation													Business Rules	
Tag	Name	St Format	St Format	Usage / Remark	COM	COH	BBB	ECL	FFM	FWB	HAB	RMA	RFM	AQM	ALM	ALH	
BGM					M	M	M	M	M	M	M	M	M	M	M	M	
<b>C002</b>	<b>Document/message name</b>	<b>C</b>	<b>M</b>														
1001	Document name code	C an..3	M an..3	85 = Customs manifest	M	M	M	M	M	M	M	M	M	M	M	M	
1131	Code list identification code	C an..17	N	Not used													
3055	Code list responsible agency code	C an..3	N	Not used													
1000	Document name	C an..35	C an..3	<b>DOCUMENT TYPE</b> To specify document type <b>COM</b> = Container Master <b>COH</b> = Container House <b>BBB</b> = Bulk/Break-bulk cargo <b>ECL</b> = Empty Container List <b>FFM</b> = Airline Flight Manifest <b>FWB</b> = Master Air waybill <b>HAB</b> = House Air Waybill <b>RMA</b> = Rail Consignment Note <b>RFM</b> = Road Freight Manifest <b>AQM</b> = Acquittal Manifest <b>ALM</b> = Advanced Loading Master <b>ALH</b> = Advanced Loading House	M	M	M	M	M	M	M	M	M	M	M		COM = FCL and LCL export cargo reported by a Carrier on a Master / Ocean Bill of Lading level.  COH = FCL Groupage Cargo reported by a Broker on House Bill of Lading level. For import this will be used for cargo reporting at any level lower than ALH (e.g. sub-consolidations).  BBB = Bulk/Break-bulk cargo reported by a Carrier on Master / Ocean Bill of Lading level.  ECL = Empty Container List reported by a Carrier  FFM = Airline Flight Manifest reported by a Carrier  FWB = Air cargo reported by a Carrier on Master Air Waybill level  HAB = Air cargo reported by a Broker on House Air Waybill level  RMA = Rail cargo reported by a Carrier on Rail Consignment Note level  RFM = Road Freight Manifest reported by a Carrier for all goods carried on a truck  AQM = Acquittal Manifest reported by a Carrier 40 days after arrival of the goods  ALM = Advanced Loading Master reported by a Carrier in respect of containerised cargo to be imported  ALH = Advanced Loading House reported by a Carrier or a Broker (with permission from a Carrier) in of containerised cargo to be imported.
<b>C106</b>	<b>Document/message identification</b>	<b>C</b>	<b>M</b>														
1004	Document identifier	C an..70	M an..35	<b>DOCUMENT NUMBER</b> A unique reference number assigned to the electronic document.	M	M	M	M	M	M	M	M	M	M	M	M	Each document submitted must have a unique reference and will be rejected as a duplicate if the same reference is supplied more than once. A change / deletion must have a unique reference and the referenced document reference must be supplied in document to be amended (RFF+ACW).
1056	Version identifier	C an..9	N	Not used													
1060	Revision identifier	C an..6	N	Not used													
1225	Message function code	C an..3	M an..3	<b>MESSAGE FUNCTION</b> <b>1</b> = Cancellation <b>4</b> = Change <b>9</b> = Original To specify the function of the message	M	M	M	M	M	M	M	M	M	M	M	M	A document must be accepted before it can be amended or cancelled.
4343	Response type code	C an..3	N	Not used													
1373	Document status code	C an..3	N	Not used													
3453	Language name code	C an..3	N	Not used													

Remark:

No = Consecutive segment number  
 MaxOcc = Maximum occurrence of the segment/group  
 Counter = Counter of segment/group within the standard

St = Status  
 EDIFACT: M=Mandatory, C=Conditional  
 User specific: M=Mandatory, O=Optional, C=Conditional

**Example:**

BGM+85:::COM+1234567890+9'

No = Consecutive segment number

MaxOcc = Maximum occurrence of the segment/group

Counter = Counter of segment/group within the standard

St = Status

EDIFACT: M=Mandatory, C=Conditional

User specific: M=Mandatory, O=Optional, C=Conditional

Counter No	Tag	St	MaxOcc	Level	Name
------------	-----	----	--------	-------	------

0030 4 **DTM** C 9 1 Document Date

		Standard	Implementation														
Tag	Name	St Format	St Format	Usage / Remark	COM	COH	BBB	ECL	FFM	FWB	HAB	RMA	RFM	AQM	ALM	ALH	Business Rules
DTM					O	O	O	O	O	O	O	O	O	O	O	O	
<b>C507</b>	<b>Date/time/period</b>	<b>M</b>	<b>M</b>														
2005	Date or time or period function code qualifier	M an..3	M an..3	137 = Document issue date time	O	O	O	O	O	O	O	O	O	O	O	O	
2380	Date or time or period text	C an..35	C n..8	DOCUMENT DATE The date the manifest was produced.	O	O	O	O	O	O	O	O	O	O	O	O	
2379	Date or time or period format code	C an..3	C an..3	102 = CCYYMMDD	O	O	O	O	O	O	O	O	O	O	O	O	

Remark:

Example:  
DTM+137:20170619:102'

No = Consecutive segment number  
 MaxOcc = Maximum occurrence of the segment/group  
 Counter = Counter of segment/group within the standard  
 St = Status  
 EDIFACT: M=Mandatory, C=Conditional  
 User specific: M=Mandatory, O=Optional, C=Conditional



Counter No	Tag	St	MaxOcc	Level	Name	
0030	5	<b>DTM</b>	C	9	1	Departure Date

		Standard	Implementation														
Tag	Name	St Format	St Format	Usage / Remark	COM	COH	BBB	ECL	FFM	FWB	HAB	RMA	RFM	AQM	ALM	ALH	Business Rules
DTM					C	C	C	C	M	M	M	C		O	O	O	
<b>C507</b>	<b>Date/time/period</b>	<b>M</b>	<b>M</b>														
2005	Date or time or period function code qualifier	M an..3	M an..3	<b>136</b> = Transport means departure date time, actual	C	C	C	C	M	M	M	C		O	O	O	
2380	Date or time or period text	C an..35	C n..8	DEPARTURE DATE <i>Departure date is Mandatory for Departures, and Optional for Arrivals</i> The departure date of the means of transport for specific conveyance.	C	C	C	C	M	M	M	C		O	O	O	Departure Date of the Means Of Transport from the original Departure Port for a particular voyage to the Republic . For Air, the Flight Date.
2379	Date or time or period format code	C an..3	C an..3	<b>102</b> = CCYYMMDD	C	C	C	C	M	M	M	C		O	O	O	

Remark:

Example:

DTM+136:20170610:102'

Counter No	Tag	St	MaxOcc	Level	Name
0060	SG1	C	99	1	Document to be amended
0070	6 RFF	M	1	1	Reference

		Standard	Implementation														
Tag	Name	St Format	St Format	Usage / Remark	COM	COH	BBB	ECL	FFM	FWB	HAB	RMA	RFM	AQM	ALM	ALH	Business Rules
RFF					C	C	C	C	C	C	C	C	C	C	C	C	
<b>C506</b>	<b>Reference</b>	<b>M</b>	<b>M</b>														
1153	Reference code qualifier	M an..3	M an..3	ACW = Reference number to previous message	C	C	C	C	C	C	C	C	C	C	C	C	
1154	Reference identifier	C an..70	C an..35	DOCUMENT TO BE AMENDED Mandatory for changes and cancellations.	C	C	C	C	C	C	C	C	C	C	C	C	Required for amendments and cancellations
1156	Document line identifier	C an..6	N	Not used													
1056	Version identifier	C an..9	N	Not used													
1060	Revision identifier	C an..6	N	Not used													

Remark:

Example:

RFF+ACW:0123456789'

Counter No	Tag	St	MaxOcc	Level	Name
0060	<b>SG1</b>	C	99	1	External Reference
0070	<b>RFF</b>	M	1	1	Reference

		Standard	Implementation														
Tag	Name	St Format	St Format	Usage / Remark	COM	COH	BBB	ECL	FFM	FWB	HAB	RMA	RFM	AQM	ALM	ALH	Business Rules
RFF					O	O	O	O	O	O	O	O	O	O	O	O	
<b>C506</b>	<b>Reference</b>	<b>M</b>	<b>M</b>														
1153	Reference code qualifier	M an..3	M an..3	<b>LO = Load planning number</b>	O	O	O	O	O	O	O	O	O	O	O	O	
1154	Reference identifier	C an..70	C an..35	<b>EXTERNAL REFERENCE</b> An additional internal reference that may be included by the sender will be returned in CUSRES.	O	O	O	O	O	O	O	O	O	O	O	O	
1156	Document line identifier	C an..6	N	Not used													
1056	Version identifier	C an..9	N	Not used													
1060	Revision identifier	C an..6	N	Not used													

Remark:

Example:  
RFF+LO:0123456789'

Counter No	Tag	St	MaxOcc	Level	Name
0060	SG1	C	99	1	CARN
0070	8 RFF	M	1	1	Reference

		Standard	Implementation														
Tag	Name	St Format	St Format	Usage / Remark	COM	COH	BBB	ECL	FFM	FWB	HAB	RMA	RFM	AQM	ALM	ALH	Business Rules
RFF					O	O	O	O	O	O	O	O	O	O	O	O	
<b>C506</b>	<b>Reference</b>	<b>M</b>	<b>M</b>														
1153	Reference code qualifier	M an..3	M an..3	<b>AFB = Cargo manifest number</b> Customs Assigned Reference Number	O	O	O	O	O	O	O	O	O	O	O	O	
1154	Reference identifier	C an..70	C an..35	<b>CARN (Customs Assigned Reference Number)</b> Number assigned to CUSCAR after successful validation for MESSAGE FUNCTION = 9. Supply for amendment or cancellation.	O	O	O	O	O	O	O	O	O	O	O	O	
1156	Document line identifier	C an..6	N	Not used													
1056	Version identifier	C an..9	N	Not used													
1060	Revision identifier	C an..6	N	Not used													

Remark:

Example:

RFF+AFB:CARN01123456'

No = Consecutive segment number  
 MaxOcc = Maximum occurrence of the segment/group  
 Counter = Counter of segment/group within the standard  
 St = Status  
 EDIFACT: M=Mandatory, C=Conditional  
 User specific: M=Mandatory, O=Optional, C=Conditional

Counter No	Tag	St	MaxOcc	Level	Name
0060	<b>SG1</b>	C	99	1	Principal Carrier Conveyance Number
0070	<b>RFF</b>	M	1	1	Reference

		Standard	Implementation														
Tag	Name	St Format	St Format	Usage / Remark	COM	COH	BBB	ECL	FFM	FWB	HAB	RMA	RFM	AQM	ALM	ALH	Business Rules
RFF					M	M	M	M		M	M				M	M	
<b>C506</b>	<b>Reference</b>	<b>M</b>	<b>M</b>														
1153	Reference code qualifier	M an..3	M an..3	<b>ACL = Principal reference number</b>	M	M	M	M		M	M				M	M	
1154	Reference identifier	C an..70	C an..17	<b>PRINCIPAL CARRIER CONVEYANCE NUMBER</b>	M	M	M	M		M	M				M	M	The voyage or flight number assigned by the Carrier who owns, operates or leases the means of transport on which the goods are transported.
1156	Document line identifier	C an..6	N	Not used													
1056	Version identifier	C an..9	N	Not used													
1060	Revision identifier	C an..6	N	Not used													

**Remark:**  
**Example:**  
 RFF+ACL:0123456789'

Counter No	Tag	St	MaxOcc	Level	Name
0090	<b>SG2</b>	M	1	1	Master Cargo Carrier Details
0100 10	<b>NAD</b>	M	1	1	Name and address

		Standard	Implementation													Business Rules	
Tag	Name	St Format	St Format	Usage / Remark	COM	COH	BBB	ECL	FFM	FWB	HAB	RMA	RFM	AQM	ALM	ALH	
NAD					M	M	M	M	M	M	M	M	M	M	M	M	
3035	Party function code qualifier	M an..3	M an..3	<b>RL</b> = Reporting carrier (Customs)	M	M	M	M	M	M	M	M	M	M	M	M	
<b>C082</b>	<b>Party identification details</b>	<b>C</b>	<b>C</b>														
3039	Party identifier	M an..35	M an..35	<b>MASTER CARGO CARRIER CODE</b> Code list: <a href="https://tools.sars.gov.za/ACM_code_Tables/MasterCargoCarrier*.csv">https://tools.sars.gov.za/ACM_code_Tables/MasterCargoCarrier*.csv</a>	M	M	M	M	M	M	M	M	M	M	M	M	
																	The BIC, SCAC or SARS-assigned code of the Carrier that issued the Master / Ocean Bill of Lading  The IATA or SARS-assigned code of the Carrier that issued the Master Air Waybill.  The SARS-assigned code of the Carrier that reports the Road Freight Manifest  The SARS-assigned code "TFR" for Transnet Freight Rail as Rail Carrier  For courier cargo where the courier has an IATA airline code reflect that code here. Where the courier does not have an IATA airline code reflect code "000" here  The SARS-assigned code of the Broker where a Master House is reported – i.e. in the case of sub-consolidations
1131	Code list identification code	C an..17	N	Not used													
3055	Code list responsible agency code	C an..3	C an..3	<b>20</b> = BIC (Bureau International des Containeurs) <b>166</b> = US, National Motor Freight Classification Association <b>3</b> = IATA (International Air Transport Association) <b>ZZZ</b> = South African Revenue Service													
<b>C058</b>	<b>Name and address</b>	<b>C</b>	<b>N</b>														
3124	Name and address description	M an..35	N	Not used													
3124	Name and address description	C an..35	N	Not used													
3124	Name and address description	C an..35	N	Not used													
3124	Name and address description	C an..35	N	Not used													
3124	Name and address description	C an..35	N	Not used													
<b>C080</b>	<b>Party name</b>	<b>C</b>	<b>N</b>														
3036	Party name	M an..70	N	Not used													
3036	Party name	C an..70	N	Not used													
3036	Party name	C an..70	N	Not used													
3036	Party name	C an..70	N	Not used													
3036	Party name	C an..70	N	Not used													
3045	Party name format code	C an..3	N	Not used													
<b>C059</b>	<b>Street</b>	<b>C</b>	<b>N</b>														
3042	Street and number or post office box identifier	M an..35	N	Not used													
3042	Street and number or post office box identifier	C an..35	N	Not used													
3042	Street and number or post office box identifier	C an..35	N	Not used													
3042	Street and number or post office box identifier	C an..35	N	Not used													
3164	City name	C an..35	N	Not used													
<b>C819</b>	<b>Country subdivision details</b>	<b>C</b>	<b>N</b>														
3229	Country subdivision identifier	C an..9	N	Not used													
1131	Code list identification code	C an..17	N	Not used													
3055	Code list responsible agency code	C an..3	N	Not used													

No = Consecutive segment number  
 MaxOcc = Maximum occurrence of the segment/group  
 Counter = Counter of segment/group within the standard  
 St = Status  
 EDIFACT: M=Mandatory, C=Conditional  
 User specific: M=Mandatory, O=Optional, C=Conditional

		Standard	Implementation														
Tag	Name	St Format	St Format	Usage / Remark	COM	COH	BBB	ECL	FFM	FWB	HAB	RMA	RFM	AQM	ALM	ALH	Business Rules
3228	Country subdivision name	C an..70	N	Not used													
3251	Postal identification code	C an..17	N	Not used													
3207	Country identifier	C an..3	N	Not used													

**Remark:**  
MASTER CARGO CARRIER CODE

**Example:**  
NAD+RL+ABC'

No = Consecutive segment number  
 MaxOcc = Maximum occurrence of the segment/group  
 Counter = Counter of segment/group within the standard  
 St = Status  
 EDIFACT: M=Mandatory, C=Conditional  
 User specific: M=Mandatory, O=Optional, C=Conditional

Counter No	Tag	St	MaxOcc	Level	Name
0090	<b>SG2</b>	C	99	1	Cargo Carrier Details
0100 11	<b>NAD</b>	M	1	1	Name and address

		Standard	Implementation														
Tag	Name	St Format	St Format	Usage / Remark	COM	COH	BBB	ECL	FFM	FWB	HAB	RMA	RFM	AQM	ALM	ALH	Business Rules
NAD					O	M				O	M			O	M	M	
3035	Party function code qualifier	M an..3	M an..3	<b>FZ</b> = Grouping centre	O	M				O	M			O	M	M	
<b>C082</b>	<b>Party identification details</b>	<b>C</b>	<b>C</b>														
3039	Party identifier	M an..35	M an..35	<b>CARGO CARRIER CODE</b> Code list: <a href="https://tools.sars.gov.za/ACM_code_Tables/ CargoCarrier*.csv">https://tools.sars.gov.za/ACM_code_Tables/ CargoCarrier*.csv</a>	O	M				O	M			O	O	M	The SARS-assigned code of the Broker that reports the House Bill Of Lading/Air Waybill.
1131	Code list identification code	C an..17	N	Not used													
3055	Code list responsible agency code	C an..3	C an..3	<b>20</b> = BIC (Bureau International des Containeurs) <b>166</b> = US, National Motor Freight Classification Association <b>ZZZ</b> = South African Revenue Service													
<b>C058</b>	<b>Name and address</b>	<b>C</b>	<b>N</b>														
3124	Name and address description	M an..35	N	Not used													
3124	Name and address description	C an..35	N	Not used													
3124	Name and address description	C an..35	N	Not used													
3124	Name and address description	C an..35	N	Not used													
3124	Name and address description	C an..35	N	Not used													
<b>C080</b>	<b>Party name</b>	<b>C</b>	<b>N</b>														
3036	Party name	M an..70	N	Not used													
3036	Party name	C an..70	N	Not used													
3036	Party name	C an..70	N	Not used													
3036	Party name	C an..70	N	Not used													
3036	Party name	C an..70	N	Not used													
3045	Party name format code	C an..3	N	Not used													
<b>C059</b>	<b>Street</b>	<b>C</b>	<b>N</b>														
3042	Street and number or post office box identifier	M an..35	N	Not used													
3042	Street and number or post office box identifier	C an..35	N	Not used													
3042	Street and number or post office box identifier	C an..35	N	Not used													
3042	Street and number or post office box identifier	C an..35	N	Not used													
3164	City name	C an..35	N	Not used													
<b>C819</b>	<b>Country subdivision details</b>	<b>C</b>	<b>N</b>														
3229	Country subdivision identifier	C an..9	N	Not used													
1131	Code list identification code	C an..17	N	Not used													
3055	Code list responsible agency code	C an..3	N	Not used													
3228	Country subdivision name	C an..70	N	Not used													
3251	Postal identification code	C an..17	N	Not used													
3207	Country identifier	C an..3	N	Not used													

Remark:

Example:

NAD+FZ+XYZ : : 20'



Counter No	Tag	St	MaxOcc	Level	Name
0090	<b>SG2</b>	M	99	1	Message Sender Details
0100	<b>NAD</b>	M	1	1	Name and address

		Standard	Implementation														Business Rules
Tag	Name	St Format	St Format	Usage / Remark	COM	COH	BBB	ECL	FFM	FWB	HAB	RMA	RFM	AQM	ALM	ALH	
NAD					M	M	M	M	M	M	M	M	M	M	M	M	
3035	Party function code qualifier	M an..3	M an..3	<b>MS</b> = Document/message issuer/sender	M	M	M	M	M	M	M	M	M	M	M	M	
<b>C082</b>	<b>Party identification details</b>	<b>C</b>	<b>C</b>														
3039	Party identifier	M an..35	M an..35	<b>MESSAGE SENDER</b> The ID of the sender of the EDI message as in UNB. CUSRES will be sent to this full code.	M	M	M	M	M	M	M	M	M	M	M	M	
1131	Code list identification code	C an..17	N	Not used													
3055	Code list responsible agency code	C an..3	C an..3	<b>20</b> = BIC (Bureau International des Containeurs) <b>166</b> = US, National Motor Freight Classification Association <b>3</b> = IATA (International Air Transport Association) <b>ZZZ</b> = South African Revenue Service													
<b>C058</b>	<b>Name and address</b>	<b>C</b>	N														
3124	Name and address description	M an..35	N	Not used													
3124	Name and address description	C an..35	N	Not used													
3124	Name and address description	C an..35	N	Not used													
3124	Name and address description	C an..35	N	Not used													
3124	Name and address description	C an..35	N	Not used													
<b>C080</b>	<b>Party name</b>	<b>C</b>	N														
3036	Party name	M an..70	N	Not used													
3036	Party name	C an..70	N	Not used													
3036	Party name	C an..70	N	Not used													
3036	Party name	C an..70	N	Not used													
3036	Party name	C an..70	N	Not used													
3045	Party name format code	C an..3	N	Not used													
<b>C059</b>	<b>Street</b>	<b>C</b>	N														
3042	Street and number or post office box identifier	M an..35	N	Not used													
3042	Street and number or post office box identifier	C an..35	N	Not used													
3042	Street and number or post office box identifier	C an..35	N	Not used													
3042	Street and number or post office box identifier	C an..35	N	Not used													
3164	City name	C an..35	N	Not used													
<b>C819</b>	<b>Country subdivision details</b>	<b>C</b>	N														
3229	Country subdivision identifier	C an..9	N	Not used													
1131	Code list identification code	C an..17	N	Not used													
3055	Code list responsible agency code	C an..3	N	Not used													
3228	Country subdivision name	C an..70	N	Not used													
3251	Postal identification code	C an..17	N	Not used													
3207	Country identifier	C an..3	N	Not used													

Remark:  
Example:  
NAD+MS+12345678ABC'

Counter No	Tag	St	MaxOcc	Level	Name
0090	<b>SG2</b>	C	99	1	Foreign Remover Details
0100 13	<b>NAD</b>	M	1	1	Name and address

		Standard	Implementation														
Tag	Name	St Format	St Format	Usage / Remark	COM	COH	BBB	ECL	FFM	FWB	HAB	RMA	RFM	AQM	ALM	ALH	Business Rules
NAD																	
3035	Party function code qualifier	M an..3	M an..3	AH = Transit principal's agent/representative													
<b>C082</b>	<b>Party identification details</b>	<b>C</b>	<b>C</b>														
3039	Party identifier	M an..35	M an..35	FOREIGN REMOVER <a href="https://tools.sars.gov.za/ACM_code_Tables/ForeignCarrierRoad.csv">https://tools.sars.gov.za/ACM_code_Tables/ForeignCarrierRoad.csv</a>													SARS-assigned code for a road carrier not domiciled in the Republic Mandatory where foreign Carrier transports cargo.
1131	Code list identification code	C an..17	N	Not used													
3055	Code list responsible agency code	C an..3	N	Not used													
<b>C058</b>	<b>Name and address</b>	<b>C</b>	<b>N</b>														
3124	Name and address description	M an..35	N	Not used													
3124	Name and address description	C an..35	N	Not used													
3124	Name and address description	C an..35	N	Not used													
3124	Name and address description	C an..35	N	Not used													
3124	Name and address description	C an..35	N	Not used													
<b>C080</b>	<b>Party name</b>	<b>C</b>	<b>N</b>														
3036	Party name	M an..70	N	Not used													
3036	Party name	C an..70	N	Not used													
3036	Party name	C an..70	N	Not used													
3036	Party name	C an..70	N	Not used													
3036	Party name	C an..70	N	Not used													
3045	Party name format code	C an..3	N	Not used													
<b>C059</b>	<b>Street</b>	<b>C</b>	<b>N</b>														
3042	Street and number or post office box identifier	M an..35	N	Not used													
3042	Street and number or post office box identifier	C an..35	N	Not used													
3042	Street and number or post office box identifier	C an..35	N	Not used													
3042	Street and number or post office box identifier	C an..35	N	Not used													
3164	City name	C an..35	N	Not used													
<b>C819</b>	<b>Country subdivision details</b>	<b>C</b>	<b>N</b>														
3229	Country subdivision identifier	C an..9	N	Not used													
1131	Code list identification code	C an..17	N	Not used													
3055	Code list responsible agency code	C an..3	N	Not used													
3228	Country subdivision name	C an..70	N	Not used													
3251	Postal identification code	C an..17	N	Not used													
3207	Country identifier	C an..3	N	Not used													

Remark:

Example:

NAD+AH+55555555'

No = Consecutive segment number  
 MaxOcc = Maximum occurrence of the segment/group  
 Counter = Counter of segment/group within the standard

St = Status  
 EDIFACT: M=Mandatory, C=Conditional  
 User specific: M=Mandatory, O=Optional, C=Conditional

Counter No	Tag	St	MaxOcc	Level	Name
0090	SG2	C	10	1	Driver / Crew / Passenger Details
0100	14 NAD	M	1	1	Name and address

		Standard	Implementation														
Tag	Name	St Format	St Format	Usage / Remark	COM	COH	BBB	ECL	FFM	FWB	HAB	RMA	RFM	AQM	ALM	ALH	Business Rules
NAD													M				
3035	Party function code qualifier	M an..3	M an..3	ROLE DR = Driver FM = Crew member FL = Passenger									M				At least one Driver must be present
<b>C082</b>	<b>Party identification details</b>	<b>C</b>	<b>C</b>														
3039	Party identifier	M an..35	C an..35	TRAVEL DOCUMENT NUMBER									M				Travel Document Number, i.e. please insert the passport number, not the ID number.
1131	Code list identification code	C an..17	C an1	TRAVEL DOCUMENT TYPE									X				TRAVEL DOCUMENT TYPE 172 = Carrier Code A = Passport D = Temporary Permit E = Travel Document F = Emergency Travel Certificate L = Departure Permit M = Document for Travel Purposes N = Provisional Permit P = Computer Readable Passport
3055	Code list responsible agency code	C an..3	N	Not used													
<b>C058</b>	<b>Name and address</b>	<b>C</b>	<b>N</b>														
3124	Name and address description	M an..35	N	Not used													
3124	Name and address description	C an..35	N	Not used													
3124	Name and address description	C an..35	N	Not used													
3124	Name and address description	C an..35	N	Not used													
3124	Name and address description	C an..35	N	Not used													
<b>C080</b>	<b>Party name</b>	<b>C</b>	<b>C</b>														
3036	Party name	M an..70	M an..70	SURNAME									M				
3036	Party name	C an..70	C an..70	FULL NAMES									M				
3036	Party name	C an..70	C an..70	RSA ID NUMBER Crew who are declared to have South African Citizenship must also have a South African ID number of 13 characters declared and be declared as a 'normal South African' traveller type.									C				
3036	Party name	C an..70	C an..16	ADDITIONAL INFORMATION 1 Travel Document Expiry Date (start=1, length= 8) Format CCYYMMDD Date of Birth (start=9, length=8) Format CCYYMMDD									M				
3036	Party name	C an..70	C an..15	INFORMATION 2 Gender (start=1, length= 1) F=Female M=Male space=Unknown) Occupation (start=2, length=1) G=Trade H=Other Reason for Movement (start=3, length=1) D=Work E=Transit Traveler Type (start=4, length=3) SVR=Normal South African VBK=Foreign Contract Worker VBV=Normal Foreigner VVP=Permanent Residence Holder Country Of Residence (start=7, length=2) ISO 2 character country code, for example ZA. Nationality (start=9, length=2)								M					

No = Consecutive segment number  
 MaxOcc = Maximum occurrence of the segment/group  
 Counter = Counter of segment/group within the standard

St = Status  
 EDIFACT: M=Mandatory, C=Conditional  
 User specific: M=Mandatory, O=Optional, C=Conditional

Standard		Implementation																
Tag	Name	St Format	St Format	Usage / Remark	COM	COH	BBB	ECL	FFM	FWB	HAB	RMA	RFM	AQM	ALM	ALH	Business Rules	
				ISO 2 character country code Travel Document Country Of Issue (start=11, length=2) ISO 2 character country code														
				--- All fields are required ---														
3045	Party name format code	C an..3	N	Not used														
<b>C059</b>	<b>Street</b>	<b>C</b>	<b>N</b>															
3042	Street and number or post office box identifier	M an..35	N	Not used														
3042	Street and number or post office box identifier	C an..35	N	Not used														
3042	Street and number or post office box identifier	C an..35	N	Not used														
3042	Street and number or post office box identifier	C an..35	N	Not used														
3164	City name	C an..35	N	Not used														
<b>C819</b>	<b>Country subdivision details</b>	<b>C</b>	<b>N</b>															
3229	Country subdivision identifier	C an..9	N	Not used														
1131	Code list identification code	C an..17	N	Not used														
3055	Code list responsible agency code	C an..3	N	Not used														
3228	Country subdivision name	C an..70	N	Not used														
3251	Postal identification code	C an..17	N	Not used														
3207	Country identifier	C an..3	N	Not used														

Remark:

Example:

NAD+DR+55555555:A++John:Smith:6901015050080:2020013119701213:MGDSVRZAZAZA'

Counter No	Tag	St	MaxOcc	Level	Name
0090	<b>SG2</b>	C	99	1	Principal Carrier Details
0100	<b>NAD</b>	M	1	1	Name and address

		Standard	Implementation														
Tag	Name	St Format	St Format	Usage / Remark	COM	COH	BBB	ECL	FFM	FWB	HAB	RMA	RFM	AQM	ALM	ALH	Business Rules
NAD															M	M	
3035	Party function code qualifier	M an..3	M an..3	<b>DEG = Consortium Carrier (maritime)</b>											M	M	
<b>C082</b>	<b>Party identification details</b>	<b>C</b>	<b>C</b>														
3039	Party identifier	M an..35	C an..17	<b>PRINCIPAL CARRIER CODE</b> Code list: <a href="https://tools.sars.gov.za/ACM_code_Tables/Carrier*.csv">https://tools.sars.gov.za/ACM_code_Tables/Carrier*.csv</a>											M	M	The BIC, SCAC or SARS-assigned code of the Carrier who owns, operates or leases the means of transport on which the goods are transported.
1131	Code list identification code	C an..17	N	Not used													
3055	Code list responsible agency code	C an..3	N	Not used													
<b>C058</b>	<b>Name and address</b>	<b>C</b>	<b>N</b>														
3124	Name and address description	M an..35	N	Not used													
3124	Name and address description	C an..35	N	Not used													
3124	Name and address description	C an..35	N	Not used													
3124	Name and address description	C an..35	N	Not used													
3124	Name and address description	C an..35	N	Not used													
<b>C080</b>	<b>Party name</b>	<b>C</b>	<b>C</b>														
3036	Party name	M an..70	C an..35	<b>PRINCIPAL CARRIER NAME</b>											M	M	Name of the Principal Carrier
3036	Party name	C an..70	N	Not used													
3036	Party name	C an..70	N	Not used													
3036	Party name	C an..70	N	Not used													
3036	Party name	C an..70	N	Not used													
3045	Party name format code	C an..3	N	Not used													
<b>C059</b>	<b>Street</b>	<b>C</b>	<b>N</b>														
3042	Street and number or post office box identifier	M an..35	N	Not used													
3042	Street and number or post office box identifier	C an..35	N	Not used													
3042	Street and number or post office box identifier	C an..35	N	Not used													
3042	Street and number or post office box identifier	C an..35	N	Not used													
3164	City name	C an..35	N	Not used													
<b>C819</b>	<b>Country subdivision details</b>	<b>C</b>	<b>N</b>														
3229	Country subdivision identifier	C an..9	N	Not used													
1131	Code list identification code	C an..17	N	Not used													
3055	Code list responsible agency code	C an..3	N	Not used													
3228	Country subdivision name	C an..70	N	Not used													
3251	Postal identification code	C an..17	N	Not used													
3207	Country identifier	C an..3	N	Not used													

Remark:

Example:

NAD+DEG+44444444++PC Carriers'

No = Consecutive segment number  
 MaxOcc = Maximum occurrence of the segment/group  
 Counter = Counter of segment/group within the standard

St = Status  
 EDIFACT: M=Mandatory, C=Conditional  
 User specific: M=Mandatory, O=Optional, C=Conditional

Counter No	Tag	St	MaxOcc	Level	Name
0160	<b>SG4</b>	M	9	1	Main Carriage Details
0170	<b>TDT</b>	M	1	1	Transport information

		Standard	Implementation													Business Rules	
Tag	Name	St Format	St Format	Usage / Remark	COM	COH	BBB	ECL	FFM	FWB	HAB	RMA	RFM	AQM	ALM	ALH	
TDT																	
8051	Transport stage code qualifier	M an..3	M an..3	<b>20</b> = Main-carriage transport	M	M	M	M	M	O	O	M		M	M	M	
8028	Means of transport journey identifier	C an..17	C an..17	CONVEYANCE NUMBER	M	M	M	M	M	O	O	M		M	M	M	Voyage number, flight number reflected on a bill of lading or air waybill
<b>C220</b>	<b>Mode of transport</b>	<b>C</b>	<b>M</b>														
8067	Transport mode name code	C an..3	M an..3	TRANSPORT CODE 0 = Transport mode not specified 1 = Maritime transport 2 = Rail transport 3 = Road transport 4 = Air transport 5 = Mail	M	M	M	M	M	M	M	M	M	M	M	M	
8066	Transport mode name	C an..17	N	Not used													
<b>C001</b>	<b>Transport means</b>	<b>C</b>	<b>N</b>														
8179	Transport means description code	C an..8	N	Not used													
1131	Code list identification code	C an..17	N	Not used													
3055	Code list responsible agency code	C an..3	N	Not used													
8178	Transport means description	C an..17	N	Not used													
<b>C040</b>	<b>Carrier</b>	<b>C</b>	<b>an..17</b>														
3127	Carrier identifier	C an..17	M an..17	CARRIER CODE <a href="https://tools.sars.gov.za/ACM_code_Tables/Carrier*.csv">https://tools.sars.gov.za/ACM_code_Tables/Carrier*.csv</a>	M	M	M	M	M	M	M	M	M	M	M	M	The BIC, SCAC, IATA or SARS-assigned code of a shipping line, airline, rail carrier or road carrier carrying on business by transporting goods for reward or transporting goods in the course of conducting its business.  For rail use "TFR"
1131	Code list identification code	C an..17	C an..17	172 = Carrier code	M	M	M		M	M	M	M	M	M	M	M	
3055	Code list responsible agency code	C an..3	C an..3	20 = BIC (Bureau International des Containeurs) 166 = US, National Motor Freight Classification Association 3 = IATA (International Air Transport Association) ZZZ = South African Revenue Service	X	X	X		X	X	X	X	X	X	X	X	
3126	Carrier name	C an..35	C an..35	CARRIER NAME	O	O	O	O	O	O	O	O	O	O	O	O	
8101	Transit direction indicator code	C an..3	N	Not used													
<b>C401</b>	<b>Excess transportation information</b>	<b>C</b>	<b>N</b>														
8457	Excess transportation reason code	M an..3	N	Not used													
8459	Excess transportation responsibility code	M an..3	N	Not used													
7130	Customer shipment authorisation identifier	C an..17	N	Not used													
<b>C222</b>	<b>Transport identification</b>	<b>C</b>	<b>C</b>														
8213	Transport means identification name identifier	C an..35	C an..35	TRANSPORT ID <a href="https://tools.sars.gov.za/ACM_code_Tables/Transport*.csv">https://tools.sars.gov.za/ACM_code_Tables/Transport*.csv</a>	M	M	M	M						M	M	M	Radio Call Sign of the vessel
1131	Code list identification code	C an..17	C an..17	103 = Call sign directory	X	X	X	X						X	X	X	
3055	Code list responsible agency code	C an..3	N	Not used													
8212	Transport means identification name	C an..70	C an..70	TRANSPORT NAME	O	O	O			O	O	O	M	O	O	O	Name of the vessel/aircraft. Road Transport - Characters 1 - 10 must contain the Load Carrying Vehicle or Horse registration number, characters 11 - 20 the Trailer 1 registration number and characters 21 - 30 must contain the Trailer 2 registration number. Should any one of these registration numbers not be required for a particular entry, that Registration Number must be space-filled.

No = Consecutive segment number  
 MaxOcc = Maximum occurrence of the segment/group  
 Counter = Counter of segment/group within the standard

St = Status  
 EDIFACT: M=Mandatory, C=Conditional  
 User specific: M=Mandatory, O=Optional, C=Conditional

		Standard	Implementation														
Tag	Name	St Format	St Format	Usage / Remark	COM	COH	BBB	ECL	FFM	FWB	HAB	RMA	RFM	AQM	ALM	ALH	Business Rules
8453	Transport means nationality code	C an..3	C an..3	TRANSPORT NATIONALITY UN/LOCODEs	O	O	O							O	O	O	
8281	Transport means ownership indicator code	C an..3	N	Not used													
<b>C003</b>	<b>Power type</b>	<b>C</b>	<b>N</b>														
7041	Power type code	C an..3	N	Not used													
1131	Code list identification code	C an..17	N	Not used													
3055	Code list responsible agency code	C an..3	N	Not used													
7040	Power type description	C an..17	N	Not used													

Remark:

Example:  
TDT+20+987544+1++ABCD::20:ABCD Shipping+++ABCD123:::ALI BABA:AD'

No = Consecutive segment number  
 MaxOcc = Maximum occurrence of the segment/group  
 Counter = Counter of segment/group within the standard  
 St = Status  
 EDIFACT: M=Mandatory, C=Conditional  
 User specific: M=Mandatory, O=Optional, C=Conditional

Counter No	Tag	St	MaxOcc	Level	Name
0160	SG4	M	9	1	Main Carriage Details
0180 17	LOC	C	99	2	Place of Discharge

		Standard	Implementation														
Tag	Name	St Format	St Format	Usage / Remark	COM	COH	BBB	ECL	FFM	FWB	HAB	RMA	RFM	AQM	ALM	ALH	Business Rules
LOC																	
3227	Location function code qualifier	M an..3	M an..3	60 = Place of arrival													
<b>C517</b>	<b>Location identification</b>	<b>C</b>	<b>C</b>														
3225	Location identifier	C an..35	C an..35	PLACE OF DISCHARGE <i>Place / Port of discharge is Mandatory for Arrivals, and Optional for Departures</i> UN/LOCODE/IATA Location Codes	C	C	C	C	C	M	M			M	M	M	Seaport or airport where the cargo is discharged in the Republic
1131	Code list identification code	C an..17	N	Not used													
3055	Code list responsible agency code	C an..3	N	Not used													
3224	Location name	C an..256	N	Not used													
<b>C519</b>	<b>Related location one identification</b>	<b>C</b>	<b>N</b>														
3223	First related location identifier	C an..35	N	Not used													
1131	Code list identification code	C an..17	N	Not used													
3055	Code list responsible agency code	C an..3	N	Not used													
3222	First related location name	C an..70	N	Not used													
<b>C553</b>	<b>Related location two identification</b>	<b>C</b>	<b>N</b>														
3233	Second related location identifier	C an..35	N	Not used													
1131	Code list identification code	C an..17	N	Not used													
3055	Code list responsible agency code	C an..3	N	Not used													
3232	Second related location name	C an..70	N	Not used													
5479	Relation code	C an..3	N	Not used													

Remark:

Example:

LOC+60+ZADUR'



Counter No	Tag	St	MaxOcc	Level	Name
0160	<b>SG4</b>	M	9	1	Main Carriage Details
0180 18	<b>LOC</b>	C	99	2	Country of Export

		Standard	Implementation														
Tag	Name	St Format	St Format	Usage / Remark	COM	COH	BBB	ECL	FFM	FWB	HAB	RMA	RFM	AQM	ALM	ALH	Business Rules
LOC												M	M				
3227	Location function code qualifier	M an..3	M an..3	<b>35 = Exportation country</b>								M	M				
<b>C517</b>	<b>Location identification</b>	<b>C</b>	<b>C</b>														
3225	Location identifier	C an..35	C a..2	COUNTRY OF EXPORT UN/LOCODE (ISO 3166)								M	M				Use the country UN/LOCODE, e.g. "ZA" for South Africa.
1131	Code list identification code	C an..17	N	Not used													
3055	Code list responsible agency code	C an..3	N	Not used													
3224	Location name	C an..256	N	Not used													
<b>C519</b>	<b>Related location one identification</b>	<b>C</b>	<b>N</b>														
3223	First related location identifier	C an..35	N	Not used													
1131	Code list identification code	C an..17	N	Not used													
3055	Code list responsible agency code	C an..3	N	Not used													
3222	First related location name	C an..70	N	Not used													
<b>C553</b>	<b>Related location two identification</b>	<b>C</b>	<b>N</b>														
3233	Second related location identifier	C an..35	N	Not used													
1131	Code list identification code	C an..17	N	Not used													
3055	Code list responsible agency code	C an..3	N	Not used													
3232	Second related location name	C an..70	N	Not used													
5479	Relation code	C an..3	N	Not used													

**Remark:**

**Example:**

LOC+35+ZA'

Counter No	Tag	St	MaxOcc	Level	Name
0160	<b>SG4</b>	M	9	1	Main Carriage Details
0180 19	<b>LOC</b>	C	99	2	Country of Destination

		Standard	Implementation													Business Rules		
Tag	Name	St Format	St Format	Usage / Remark	COM	COH	BBB	ECL	FFM	FWB	HAB	RMA	RFM	AQM	ALM	ALH		
LOC													M	M				
3227	Location function code qualifier	M an..3	M an..3	<b>36 = Country of ultimate destination</b>									M	M				Use the country UN/LOCODE, e.g. "MZ" for Mozambique.
<b>C517</b>	<b>Location identification</b>	<b>C</b>	<b>C</b>															
3225	Location identifier	C an..35	C a..2	COUNTRY OF DESTINATION UN/LOCODE (ISO 3166)									M	M				Use the country UN/LOCODE, e.g. "MZ" for Mozambique.
1131	Code list identification code	C an..17	N	Not used														
3055	Code list responsible agency code	C an..3	N	Not used														
3224	Location name	C an..256	N	Not used														
<b>C519</b>	<b>Related location one identification</b>	<b>C</b>	N															
3223	First related location identifier	C an..35	N	Not used														
1131	Code list identification code	C an..17	N	Not used														
3055	Code list responsible agency code	C an..3	N	Not used														
3222	First related location name	C an..70	N	Not used														
<b>C553</b>	<b>Related location two identification</b>	<b>C</b>	N															
3233	Second related location identifier	C an..35	N	Not used														
1131	Code list identification code	C an..17	N	Not used														
3055	Code list responsible agency code	C an..3	N	Not used														
3232	Second related location name	C an..70	N	Not used														
5479	Relation code	C an..3	N	Not used														

Remark:

Example:

LOC+36+MZ'

Counter No	Tag	St	MaxOcc	Level	Name
0160	<b>SG4</b>	M	9	1	Main Carriage Details
0180 20	<b>LOC</b>	C	99	2	Border Post

		Standard	Implementation													Business Rules	
Tag	Name	St Format	St Format	Usage / Remark	COM	COH	BBB	ECL	FFM	FWB	HAB	RMA	RFM	AQM	ALM	ALH	Business Rules
LOC												M	M				
3227	Location function code qualifier	M an..3	M an..3	17 = Border crossing place								M	M				Use the country UN/LOCODE, e.g. "MZ" for Mozambique.
<b>C517</b>	<b>Location identification</b>	<b>C</b>	<b>C</b>														
3225	Location identifier	C an..35	C a..5	BORDER POST SARS Code List 1								M	M				Border post for goods entering or leaving the country.
1131	Code list identification code	C an..17	N	Not used													
3055	Code list responsible agency code	C an..3	N	Not used													
3224	Location name	C an..256	N	Not used													
<b>C519</b>	<b>Related location one identification</b>	<b>C</b>	<b>N</b>														
3223	First related location identifier	C an..35	N	Not used													
1131	Code list identification code	C an..17	N	Not used													
3055	Code list responsible agency code	C an..3	N	Not used													
3222	First related location name	C an..70	N	Not used													
<b>C553</b>	<b>Related location two identification</b>	<b>C</b>	<b>N</b>														
3233	Second related location identifier	C an..35	N	Not used													
1131	Code list identification code	C an..17	N	Not used													
3055	Code list responsible agency code	C an..3	N	Not used													
3232	Second related location name	C an..70	N	Not used													
5479	Relation code	C an..3	N	Not used													

Remark:

Example:

LOC+17+KOM'

Counter No	Tag	St	MaxOcc	Level	Name
0160	<b>SG4</b>	M	9	1	Main Carriage Details
0180 21	<b>LOC</b>	C	99	2	Place of Exit

		Standard	Implementation														
Tag	Name	St Format	St Format	Usage / Remark	COM	COH	BBB	ECL	FFM	FWB	HAB	RMA	RFM	AQM	ALM	ALH	Business Rules
LOC																	
3227	Location function code qualifier	M an..3	M an..3	<b>42</b> = Consignment exit customs office location									O				Use the country UN/LOCODE, e.g. "MZ" for Mozambique.
<b>C517</b>	<b>Location identification</b>	<b>C</b>	<b>C</b>										O				
3225	Location identifier	C an..35	C a..5	PLACE OF EXIT SARS Code List 1									O				For road transit :- Place where transit goods are to exit the Republic if different to "Border Post" e.g. Transit goods entered at Beit Bridge (border post)and is to exit at Durban (place of exit)
1131	Code list identification code	C an..17	N	Not used													
3055	Code list responsible agency code	C an..3	N	Not used													
3224	Location name	C an..256	N	Not used													
<b>C519</b>	<b>Related location one identification</b>	<b>C</b>	<b>N</b>														
3223	First related location identifier	C an..35	N	Not used													
1131	Code list identification code	C an..17	N	Not used													
3055	Code list responsible agency code	C an..3	N	Not used													
3222	First related location name	C an..70	N	Not used													
<b>C553</b>	<b>Related location two identification</b>	<b>C</b>	<b>N</b>														
3233	Second related location identifier	C an..35	N	Not used													
1131	Code list identification code	C an..17	N	Not used													
3055	Code list responsible agency code	C an..3	N	Not used													
3232	Second related location name	C an..70	N	Not used													
5479	Relation code	C an..3	N	Not used													

Remark:

Example:

LOC+42+KOM'

Counter No	Tag	St	MaxOcc	Level	Name
0160	SG4	M	9	1	Main Carriage Details
0180 22	LOC	C	99	2	Place of Loading

		Standard	Implementation													Business Rules	
Tag	Name	St Format	St Format	Usage / Remark	COM	COH	BBB	ECL	FFM	FWB	HAB	RMA	RFM	AQM	ALM	ALH	
LOC					C	C	C	C		M	M						
3227	Location function code qualifier	M an..3	M an..3	9 = Place of loading	C	C	C	C		M	M						Use the country UN/LOCODE, e.g. "MZ" for Mozambique.
<b>C517</b>	<b>Location identification</b>	<b>C</b>	<b>C</b>														
3225	Location identifier	C an..35	C an..5	PLACE / PORT OF LOADING <i>Place / Port of loading is Mandatory for Departures, and Optional for Arrivals</i>	C	C	C	C		M	M						Place where goods are loaded on board a vessel or aircraft for transport to the Republic. For sea use the UN/LOCODE for air use the IATA airport code.
1131	Code list identification code	C an..17	N	Not used													
3055	Code list responsible agency code	C an..3	N	Not used													
3224	Location name	C an..256	N	Not used													
<b>C519</b>	<b>Related location one identification</b>	<b>C</b>	<b>N</b>														
3223	First related location identifier	C an..35	N	Not used													
1131	Code list identification code	C an..17	N	Not used													
3055	Code list responsible agency code	C an..3	N	Not used													
3222	First related location name	C an..70	N	Not used													
<b>C553</b>	<b>Related location two identification</b>	<b>C</b>	<b>N</b>														
3233	Second related location identifier	C an..35	N	Not used													
1131	Code list identification code	C an..17	N	Not used													
3055	Code list responsible agency code	C an..3	N	Not used													
3232	Second related location name	C an..70	N	Not used													
5479	Relation code	C an..3	N	Not used													

**Remark:**

**Example:**

LOC+9+ZAPTA'

Counter No	Tag	St	MaxOcc	Level	Name
0160	<b>SG4</b>	M	9	1	Main Carriage Details
0190 23	<b>DTM</b>	C	99	2	Estimated Date Time of Arrival

		Standard	Implementation														
Tag	Name	St Format	St Format	Usage / Remark	COM	COH	BBB	ECL	FFM	FWB	HAB	RMA	RFM	AQM	ALM	ALH	Business Rules
DTM										C	C	C					
<b>C507</b>	<b>Date/time/period</b>	<b>M</b>	<b>M</b>														
2005	Date or time or period function code qualifier	M an..3	M an..3	<b>232</b> = Transport means arrival date/time, scheduled					C	C	C						
2380	Date or time or period text	C an..35	C n..12	ESTIMATED DATE/TIME OF ARRIVAL <i>Estimated Date/Time of Arrival is Mandatory for Arrivals, and Optional for Departures</i>					C	C	C						For Rail, the estimated date/time of the means of transport at the border.
2379	Date or time or period format code	C an..3	C an..3	<b>203</b> = CCYYMMDDHHMM					C	C	C						

Remark:

Example:  
DTM+232:201706201400:203'

Counter No	Tag	St	MaxOcc	Level	Name
0160	<b>SG4</b>	M	9	1	Main Carriage Details
0190 24	<b>DTM</b>	C	99	2	Estimated Date of Arrival

		Standard	Implementation														
Tag	Name	St Format	St Format	Usage / Remark	COM	COH	BBB	ECL	FFM	FWB	HAB	RMA	RFM	AQM	ALM	ALH	Business Rules
DTM																	
<b>C507</b>	<b>Date/time/period</b>	<b>M</b>	<b>M</b>														
2005	Date or time or period function code qualifier	M an..3	M an..3	132 = Transport means arrival date time, estimated	C	C	C	C				C	C	M	M	M	
2380	Date or time or period text	C an..35	C an..35	ESTIMATED DATE OF ARRIVAL <i>Estimated date of arrival is Mandatory for Arrivals, and Optional for Departures</i>	C	C	C	C				C	C	M	M	M	For Road the estimated date of arrival of the truck at the border post
2379	Date or time or period format code	C an..3	C an..3	102 = CCYYMMDD	C	C	C	C				C	C	M	M	M	

Remark:

Example:  
DTM+132:20170620:102'

Counter No	Tag	St	MaxOcc	Level	Name
0160	<b>SG4</b>	M	9	1	Main Carriage Details
0190 25	<b>DTM</b>	C	99	2	Estimated Date Time of Loading

		Standard	Implementation														
Tag	Name	St Format	St Format	Usage / Remark	COM	COH	BBB	ECL	FFM	FWB	HAB	RMA	RFM	AQM	ALM	ALH	Business Rules
DTM															M	M	
<b>C507</b>	<b>Date/time/period</b>	<b>M</b>	<b>M</b>														
2005	Date or time or period function code qualifier	M an..3	M an..3	<b>369</b> = Date and or time of handling, estimated											M	M	
2380	Date or time or period text	C an..35	C n..12	ESTIMATED DATE/TIME OF LOADING											M	M	The estimated date / time of loading containers onto the vessel at a foreign port for transport to the Republic
2379	Date or time or period format code	C an..3	C an..3	<b>203</b> = CCYYMMDDHHMM											M	M	

Remark:

Example:  
DTM+369:201706201400:203'

No = Consecutive segment number  
 MaxOcc = Maximum occurrence of the segment/group  
 Counter = Counter of segment/group within the standard  
 St = Status  
 EDIFACT: M=Mandatory, C=Conditional  
 User specific: M=Mandatory, O=Optional, C=Conditional



Counter No	Tag	St	MaxOcc	Level	Name
0160	<b>SG4</b>	M	9	1	Transshipment Details
0170	26 <b>TDT</b>	M	1	1	Transport information

Standard		Implementation															Business Rules
Tag	Name	St Format	St Format	Usage / Remark	COM	COH	BBB	ECL	FFM	FWB	HAB	RMA	RFM	AQM	ALM	ALH	
TDT																	
8051	Transport stage code qualifier	M an..3	M an..3	<b>4</b> = Means of transport at transit			C			C					C		
8028	Means of transport journey identifier	C an..17	C an..17	TRANSHIP CONVEYANCE NUMBER <i>Mandatory if Transshipment Indicator is true</i>			C			C					C		The voyage or flight number assigned by the Carrier who owns, operates or leases the means of transport on which the goods are to be transhipped from the Republic.
<b>C220</b>	<b>Mode of transport</b>	<b>C</b>	<b>N</b>														
8067	Transport mode name code	C an..3	N	Not used													
8066	Transport mode name	C an..17	N	Not used													
<b>C001</b>	<b>Transport means</b>	<b>C</b>	<b>N</b>														
8179	Transport means description code	C an..8	N	Not used													
1131	Code list identification code	C an..17	N	Not used													
3055	Code list responsible agency code	C an..3	N	Not used													
8178	Transport means description	C an..17	N	Not used													
<b>C040</b>	<b>Carrier</b>	<b>C</b>	<b>C</b>														
3127	Carrier identifier	C an..17	M an..17	TRANSHIP CARRIER CODE <i>Mandatory if Transshipment Indicator is true</i> <a href="https://tools.sars.gov.za/ACM_code_Tables/Carrier*.csv">https://tools.sars.gov.za/ACM_code_Tables/Carrier*.csv</a>			C			C					C		The BIC, SCAC, IATA or SARS-assigned code of the party who owns, operates or leases the means of transport on which the goods are to be transhipped.
1131	Code list identification code	C an..17	C an..17	<b>172</b> = Carrier code	X	X	X		X	X	X	X	X	X	X	X	
3055	Code list responsible agency code	C an..3	C an..3	<b>20</b> = BIC (Bureau International des Containeurs) <b>166</b> = US, National Motor Freight Classification Association <b>3</b> = IATA (International Air Transport Association) <b>ZZZ</b> = South African Revenue Service	X	X	X		X	X	X	X	X	X	X	X	
3126	Carrier name	C an..35	C an..35														
8101	Transit direction indicator code	C an..3	N	Not used													
<b>C401</b>	<b>Excess transportation information</b>	<b>C</b>	<b>N</b>														
8457	Excess transportation reason code	M an..3	N	Not used													
8459	Excess transportation responsibility code	M an..3	N	Not used													
7130	Customer shipment authorisation identifier	C an..17	N	Not used													
<b>C222</b>	<b>Transport identification</b>	<b>C</b>	<b>C</b>														
8213	Transport means identification name identifier	C an..35	C an..9	TRANSHIP TRANSPORT ID <i>Mandatory if Transshipment Indicator is true</i> <a href="https://tools.sars.gov.za/ACM_code_Tables/Transport*.csv">https://tools.sars.gov.za/ACM_code_Tables/Transport*.csv</a>			C			C					C		Radio Call Sign/Registration Number of aircraft
1131	Code list identification code	C an..17	C an..17	<b>103</b> = Call sign directory <b>146</b> = Means of transport identification	X	X	X	X						X	X	X	
3055	Code list responsible agency code	C an..3	N	Not used													
8212	Transport means identification name	C an..70	N	Not used													
8453	Transport means nationality code	C an..3	N	Not used													
8281	Transport means ownership indicator code	C an..3	N	Not used													
<b>C003</b>	<b>Power type</b>	<b>C</b>	<b>N</b>														
7041	Power type code	C an..3	N	Not used													
1131	Code list identification code	C an..17	N	Not used													
3055	Code list responsible agency code	C an..3	N	Not used													
7040	Power type description	C an..17	N	Not used													

No = Consecutive segment number  
 MaxOcc = Maximum occurrence of the segment/group  
 Counter = Counter of segment/group within the standard  
 St = Status  
 EDIFACT: M=Mandatory, C=Conditional  
 User specific: M=Mandatory, O=Optional, C=Conditional

**Remark:**

**Example:**

TDT+4+987544+++ABCD::20:ABCD Shipping+++ABCD123:103'

No = Consecutive segment number

MaxOcc = Maximum occurrence of the segment/group

Counter = Counter of segment/group within the standard

St = Status

EDIFACT: M=Mandatory, C=Conditional

User specific: M=Mandatory, O=Optional, C=Conditional

Counter No	Tag	St	MaxOcc	Level	Name
0160	<b>SG4</b>	M	9	1	Transshipment Details
0190 27	<b>DTM</b>	C	99	2	Date/time/period

Standard		Implementation															
Tag	Name	St Format	St Format	Usage / Remark	COM	COH	BBB	ECL	FFM	FWB	HAB	RMA	RFM	AQM	ALM	ALH	Business Rules
DTM																	
<b>C507</b>	<b>Date/time/period</b>	<b>M</b>	<b>M</b>														
2005	Date or time or period function code qualifier	M an..3	M an..3	133 = Transport means departure date/time, estimated			C			C					C		
2380	Date or time or period text	C an..35	C n..12	TRANSHIP ESTIMATED DATE OF DEPARTURE <i>Mandatory if Transshipment Indicator is true</i>			C			C					C		
2379	Date or time or period format code	C an..3	C an..3	203 = CCYYMMDDHHMM			C			C					C		

Remark:

Example:  
DTM+133:201409142036:203'

Counter No	Tag	St	MaxOcc	Level	Name
0200 28	<b>GEI</b>	C	9	1	Manifest Type

Standard		Implementation															
Tag	Name	St Format	St Format	Usage / Remark	COM	COH	BBB	ECL	FFM	FWB	HAB	RMA	RFM	AQM	ALM	ALH	Business Rules
GEI																	
9649	Processing information code qualifier	M an..3	M an..3	<b>5</b> = Consignment type information			M		O	M	M	C	M				
							X		X	X	X	X	X				
<b>C012</b>	<b>Processing indicator</b>	<b>C</b>	<b>C</b>														
7365	Processing indicator description code	C an..3	C an..3	MANIFEST TYPE <i>Manifest type is mandatory on header level for Rail Manifests, if the goods are bulk / break bulk.</i> 22 = Export 23 = Import 24 = Transit 28 = Transhipment ZZZ = Mutually defined - Multiple Procedures			M		O	M	M	C	M				
1131	Code list identification code	C an..17	C an..17	71 = Nature of transaction			X		X	X	X	X	X				
3055	Code list responsible agency code	C an..3	C an..3	ZZZ = South African Revenue Service			X		X	X	X	X	X				
7364	Processing indicator description	C an..35	N	Not used													
7187	Process type description code	C an..17	N	Not used													

Remark:

Example:

GEI+5+22:71:ZZZ'

Counter No	Tag	St	MaxOcc	Level	Name
0200 29	<b>GEI</b>	C	9	1	Cargo Type

Standard		Implementation															
Tag	Name	St Format	St Format	Usage / Remark	COM	COH	BBB	ECL	FFM	FWB	HAB	RMA	RFM	AQM	ALM	ALH	Business Rules
GEI																	
9649	Processing information code qualifier	M an..3	M an..3	<b>5</b> = Consignment type information													
<b>C012</b>	<b>Processing indicator</b>	<b>C</b>	<b>C</b>														
7365	Processing indicator description code	C an..3	C an..3	<b>CARGO TYPE INDICATOR</b> <b>DB</b> = Dry Bulk <b>LB</b> = Liquid Bulk <b>BB</b> = Break Bulk <b>CN</b> = Container <b>MX</b> = Mixed Cargo <b>122</b> = Commodity			M					M	M				
1131	Code list identification code	C an..17	C an..17	<b>122</b> = Commodity													
3055	Code list responsible agency code	C an..3	C an..3	<b>ZZZ</b> = South African Revenue Service													
7364	Processing indicator description	C an..35	N	Not used													
7187	Process type description code	C an..17	N	Not used													

Remark:

Example:

GEI+5+BB:122:ZZZ'

Counter No	Tag	St	MaxOcc	Level	Name
0200 30	<b>GEI</b>	C	9	1	Call Purpose

		Standard	Implementation														
Tag	Name	St Format	St Format	Usage / Remark	COM	COH	BBB	ECL	FFM	FWB	HAB	RMA	RFM	AQM	ALM	ALH	Business Rules
GEI																	
9649	Processing information code qualifier	M an..3	M an..3	<b>5</b> = Consignment type information													
<b>C012</b>	<b>Processing indicator</b>	<b>C</b>	<b>C</b>														
7365	Processing indicator description code	C an..3	C an..3	CALL PURPOSE <b>16</b> = Unloading Cargo <b>17</b> = Loading Cargo	M	M	M	M	M	M	M						For directionality
1131	Code list identification code	C an..17	C an..17	<b>176</b> = Flow of the goods													
3055	Code list responsible agency code	C an..3	C an..3	<b>ZZZ</b> = South African Revenue Service													
7364	Processing indicator description	C an..35	N	Not used													
7187	Process type description code	C an..17	N	Not used													

Remark:

Example:

GEI+5+16:176:ZZZ'

Counter No	Tag	St	MaxOcc	Level	Name
0200 31	<b>GEI</b>	C	9	1	Transhipment Indicator

Standard		Implementation															
Tag	Name	St Format	St Format	Usage / Remark	COM	COH	BBB	ECL	FFM	FWB	HAB	RMA	RFM	AQM	ALM	ALH	Business Rules
GEI																	
9649	Processing information code qualifier	M an..3	M an..3	<b>2</b> = Accounting data			O			O					O		
<b>C012</b>	<b>Processing indicator</b>	<b>C</b>	<b>C</b>														
7365	Processing indicator description code	C an..3	C an..3	TRANSHIPMENT INDICATOR Y = Transhipment Manifest as declaration N = Transhipment Manifest not as declaration			O			O					O		To indicate that the advance cargo notice is to be used as a transhipment clearance declaration.
1131	Code list identification code	C an..17	C an..17	<b>105</b> = Customs declaration type			O			O					O		
3055	Code list responsible agency code	C an..3	C an..3	<b>ZZZ</b> = South African Revenue Service			O			O					O		
7364	Processing indicator description	C an..35	N	Not used													
7187	Process type description code	C an..17	N	Not used													

Remark:

Example:

GEI+2+Y:105:ZZZ'

Counter No	Tag	St	MaxOcc	Level	Name
0210	SG5	C	9999	1	EQD-MEA-SEL-SG6
0220 32	EQD	M	1	1	Equipment details

Standard		Implementation															
Tag	Name	St Format	St Format	Usage / Remark	COM	COH	BBB	ECL	FFM	FWB	HAB	RMA	RFM	AQM	ALM	ALH	Business Rules
EQD					M	M		M				M	M		M	M	
8053	Equipment type code qualifier	M an..3	M an..3	EQUIPMENT QUALIFIER CN = Container RR = Rail car	M	M		M				M	M		M	M	
<b>C237</b>	<b>Equipment identification</b>	<b>C</b>	<b>C</b>														
8260	Equipment identifier	C an..17	C an..17	CONTAINER NUMBER/WAGON NUMBER	M	M		M				M	M		M	M	The container number consists of 11 digits of which the first 4 digits represent the alphabetic code and the next 7 digits represent the numeric number of the container. For rail, if containerised, insert the container number. If not containerised insert the wagon number.
1131	Code list identification code	C an..17	N	Not used													
3055	Code list responsible agency code	C an..3	N	Not used													
3207	Country identifier	C an..3	N	Not used													
<b>C224</b>	<b>Equipment size and type</b>	<b>C</b>	<b>C</b>														
8155	Equipment size and type description code	C an..10	C an..4	CONTAINER SIZE/TYPE	M	M		M				O	M		M	M	The size and type of the container. Refer to ISO 6346 / ISO 1161
1131	Code list identification code	C an..17	C an..17	102 = Size and Type	M	M		M				M	M		M	M	
3055	Code list responsible agency code	C an..3	C an..3	5 = ISO (International Organization for Standardization)	M	M		M				M	M		M	M	
8154	Equipment size and type description	C an..35	N	Not used													
8077	Equipment supplier code	C an..3	N	Not used													
8249	Equipment status code	C an..3	C an..3	CONTAINER STATUS If rail and containerized, then Container status is Mandatory 1 = Continental 2 = Export 3 = Import 6 = Transshipment	M	M		M				C	M		M	M	Separate CUSCAR messages per transshipment must be provided. Import manifests may not have transshipment containers.
8169	Full or empty indicator code	C an..3	C an..3	SERVICE TYPE For Rail Freight Manifests that are containerized the Service Type is mandatory. 4 = Empty 5 = Full (FCL Groupage) 7 = Full, mixed consignment (LCL) 8 = Full, single consignment (FCL) COM, COH, RMA and RFM manifests do not allow empty containers to be declared thereon	M	M		M				C	M		M	M	
4233	Marking instructions code	C an..3	N	Not used													

**Remark:**  
This segment will occur once for each container specified.  
NOTE: Only required for Containerised Cargo, not required if not containerised.

**Example:**  
EQD+CN+CNU1234567890+22K2:102:5++1+4'

No = Consecutive segment number  
MaxOcc = Maximum occurrence of the segment/group  
Counter = Counter of segment/group within the standard  
St = Status  
EDIFACT: M=Mandatory, C=Conditional  
User specific: M=Mandatory, O=Optional, C=Conditional



Counter No	Tag	St	MaxOcc	Level	Name
0210	<b>SG5</b>	C	9999	1	EQD-MEA-SEL-SG6
0240 33	<b>MEA</b>	C	9	2	Gross Mass

Standard		Implementation															
Tag	Name	St Format	St Format	Usage / Remark	COM	COH	BBB	ECL	FFM	FWB	HAB	RMA	RFM	AQM	ALM	ALH	Business Rules
MEA					M	M						O	M		M	M	
6311	Measurement purpose code qualifier	M an..3	M an..3	<b>AAE = Measurement</b>	M	M						O	M		M	M	
<b>C502</b>	<b>Measurement details</b>	<b>C</b>	<b>C</b>														
6313	Measured attribute code	C an..3	C an..3	<b>AAM = Transport means gross weight</b>	M	M						O	M		M	M	
6321	Measurement significance code	C an..3	N	Not used													
6155	Non-discrete measurement name code	C an..17	N	Not used													
6154	Non-discrete measurement name	C an..70	N	Not used													
<b>C174</b>	<b>Value/range</b>	<b>C</b>	<b>C</b>														
6411	Measurement unit code	C an..8	C an..3	<b>UNIT OF MEASURE</b> <b>KGM = kilogram</b>	M	M						O	M		M	M	
6314	Measure	C an..18	C an..18	<b>GROSS MASS</b>	M	M						O	M		M	M	
6162	Range minimum quantity	C n..18	N	Not used													
6152	Range maximum quantity	C n..18	N	Not used													
6432	Significant digits quantity	C n..2	N	Not used													
7383	Surface or layer code	C an..3	N	Not used													

Remark:

Example:

MEA+AAE+AAM+KGM: 2356'

Counter No	Tag	St	MaxOcc	Level	Name
0210	<b>SG5</b>	C	9999	1	EQD-MEA-SEL-SG6
0240 34	<b>MEA</b>	C	9	2	Verified Gross Mass

		Standard	Implementation														
Tag	Name	St Format	St Format	Usage / Remark	COM	COH	BBB	ECL	FFM	FWB	HAB	RMA	RFM	AQM	ALM	ALH	Business Rules
MEA					O	O									O	O	
6311	Measurement purpose code qualifier	M an..3	M an..3	<b>AAE = Measurement</b>	O	O									O	O	
<b>C502</b>	<b>Measurement details</b>	<b>C</b>	<b>C</b>														
6313	Measured attribute code	C an..3	C an..3	<b>VGM = Transport equipment verified gross mass (weight)</b>	O	O									O	O	
6321	Measurement significance code	C an..3	N	Not used													
6155	Non-discrete measurement name code	C an..17	N	Not used													
6154	Non-discrete measurement name	C an..70	N	Not used													
<b>C174</b>	<b>Value/range</b>	<b>C</b>	<b>C</b>														
6411	Measurement unit code	C an..8	C an..3	<b>VERIFIED GROSS MASS UNIT KGM = kilogram</b>	O	O									O	O	
6314	Measure	C an..18	C an..18	<b>VERIFIED GROSS MASS</b>	O	O									O	O	
6162	Range minimum quantity	C n..18	N	Not used													
6152	Range maximum quantity	C n..18	N	Not used													
6432	Significant digits quantity	C n..2	N	Not used													
7383	Surface or layer code	C an..3	N	Not used													

Remark:

Example:

MEA+AAE+VGM+KGM: 2356'

Counter No	Tag	St	MaxOcc	Level	Name
0210	<b>SG5</b>	C	9999	1	EQD-MEA-SEL-SG6
0260	35 <b>SEL</b>	C	4	2	Seal number

		Standard	Implementation														
Tag	Name	St Format	St Format	Usage / Remark	COM	COH	BBB	ECL	FFM	FWB	HAB	RMA	RFM	AQM	ALM	ALH	Business Rules
SEL					M	M						O	M		M	M	
9308	Transport unit seal identifier	C an..35	C an..35	SEAL NUMBER <i>If CARGO TYPE INDICATOR = CN then SEAL NUMBER is required.</i>	M	M						O	C		M	M	Should no Seal Number be available, "NO SEAL NO" must be specified within this field. This segment may occur a maximum of four times.
<b>C215</b>	<b>Seal issuer</b>	<b>C</b>	<b>C</b>														
9303	Sealing party name code	C an..3	C an..3	SEALING PARTY CA = Carrier CU = Customs SH = Shipper TO = Terminal operator	O	O						O	O		O	O	
1131	Code list identification code	C an..17	N	Not used													
3055	Code list responsible agency code	C an..3	N	Not used													
9302	Sealing party name	C an..35	N	Not used													
4517	Seal condition code	C an..3	N	Not used													
<b>C208</b>	<b>Identity number range</b>	<b>C</b>	<b>N</b>														
7402	Object identifier	M an..35	N	Not used													
7402	Object identifier	C an..35	N	Not used													
4525	Seal type code	C an..3	C an..3	SEAL TYPE <i>If SEAL NUMBER is not empty or NOT "NO SEAL NUMBER" or "NO SEAL NO", then SEAL TYPE is Mandatory</i> 1 = Mechanical seal 2 = Electronic seal	C	C							C		C	C	

Remark:

Example:

SEL+1321321313113131321321+CA+++1'

Counter No	Tag	St	MaxOcc	Level	Name
0300	<b>SG6</b>	C	1	2	TMP
0310 36	<b>TMP</b>	M	1	2	Temperature

Standard		Implementation															
Tag	Name	St Format	St Format	Usage / Remark	COM	COH	BBB	ECL	FFM	FWB	HAB	RMA	RFM	AQM	ALM	ALH	Business Rules
TMP					O	O						O	O		O	O	
6245	Temperature type code qualifier	M an..3	M an..3	<b>2 = Transport temperature</b>	O	O						O	O		O	O	
<b>C239</b>	<b>Temperature setting</b>	<b>C</b>	<b>C</b>														
6246	Temperature degree	C n..15	C n..3	TEMPERATURE SETTING	O	O						O	O		O	O	
6411	Measurement unit code	C an..8	C an..3	TEMPERATURE UNIT CEL = degree Celsius FAH = degree Fahrenheit	O	O						O	O		O	O	

Remark:

Example:  
TMP+2+9:CEL'

Counter	No	Tag	St	MaxOcc	Level	Name
---------	----	-----	----	--------	-------	------

0330 37 **CNT** C 9 1 Control total

		Standard	Implementation														
Tag	Name	St Format	St Format	Usage / Remark	COM	COH	BBB	ECL	FFM	FWB	HAB	RMA	RFM	AQM	ALM	ALH	Business Rules
CNT					M	M		M				M	M		M	M	
<b>C270</b>	<b>Control</b>	<b>M</b>	<b>M</b>														
6069	Control total type code qualifier	M an..3	M an..3	<b>16 = Total number of equipment</b>	M	M		M				M	M		M	M	
6066	Control total quantity	M n..18	M n..18	<b>NO OF CONTAINERS/MESSAGE</b> Specify the total number of containers reported within this CUSCAR message.	M	M		M				M	M		M	M	
6411	Measurement unit code	C an..8	N	Not used													

**Remark:**

**Example:**

CNT+16:1'

No = Consecutive segment number  
 MaxOcc = Maximum occurrence of the segment/group  
 Counter = Counter of segment/group within the standard  
 St = Status  
 EDIFACT: M=Mandatory, C=Conditional  
 User specific: M=Mandatory, O=Optional, C=Conditional

Counter No	Tag	St	MaxOcc	Level	Name
0340	SG7	C	9999	1	CNI-CNT-SG8
0350	38	CNI	1	1	Consignment information

		Standard	Implementation														
Tag	Name	St Format	St Format	Usage / Remark	COM	COH	BBB	ECL	FFM	FWB	HAB	RMA	RFM	AQM	ALM	ALH	Business Rules
CNI																	
1490	Consolidation item number	C n..5	C n..5	MANIFEST LINE ITEM NUMBER	O	O	O		O	O	O	O	O	M	O	O	Sequential number of the Master Transport Document reported within this electronic message, starting at 1 and incrementing by 1 for each Document.
<b>C503</b>	<b>Document/message details</b>	<b>C</b>	<b>C</b>														
1004	Document identifier	C an..70	C an..70	MASTER TRANSPORT DOCUMENT NUMBER	M	M	M		M	M	M	M	M	M	M	M	
1373	Document status code	C an..3	C an..3	BILL OF LADING INDICATOR BOL = Bill of Lading PBL = Parent Bill		M					O			M	M	M	"BOL" means that the reported bill is either a master, or a house with a master as its parent bill. "PBL" means that the reported bill is a house bill and its parent is also a house bill.
1366	Document source description	C an..70	C an..70	PRINCIPAL CARRIER MTDN	M	M	M			M	M				M	M	The root (highest in hierarchy) Master / Ocean Bill of Lading or Air Waybill number assigned by a Master Cargo Carrier that covers all subsequent and lower level Bills of Lading or Air Waybills associated with it (e.g. the Master Bill of Lading number in respect of the movement of a container of consolidated cargo with individual house bills at various levels including sub-consolidations)
3453	Language name code	C an..3	N	Not used													
1056	Version identifier	C an..9	C an..9	MASTER TRANSPORT DOCUMENT DATE Date to be supplied in format CCYYMMDD.	M	M	M		M	M	M	M	M	M	M	M	
1060	Revision identifier	C an..6	N	Not used													
1312	Consignment load sequence identifier	C n..4	N	Not used													

Remark:

Example:

CNI+1+112233445566778899:BOL:::20170601'

Counter No	Tag	St	MaxOcc	Level	Name
0340	SG7	C	9999	1	CNI-CNT-SG8
0360 39	CNT	C	1	2	Control total

		Standard	Implementation														
Tag	Name	St Format	St Format	Usage / Remark	COM	COH	BBB	ECL	FFM	FWB	HAB	RMA	RFM	AQM	ALM	ALH	Business Rules
CNT																	
<b>C270</b>	<b>Control</b>	<b>M</b>	<b>M</b>														
6069	Control total type code qualifier	M an..3	M an..3	<b>16 = Total number of equipment</b>													
6066	Control total quantity	M n..18	M n..18	<b>TOTAL NUMBER OF CONTAINERS/CONSIGNMENT</b> Specify the total number of containers reported under one master bill. (i.e. total SGP segments)	O	O						O	M		O	O	
6411	Measurement unit code	C an..8	N	Not used													

Remark:

Example:

CNT+16:9'

Counter No	Tag	St	MaxOcc	Level	Name
0370	<b>SG8</b>	C	9999	2	RFF-LOC-GEI-SG9-SG11-SG14
0380 40	<b>RFF</b>	M	1	2	Reference

		Standard	Implementation													Business Rules	
Tag	Name	St Format	St Format	Usage / Remark	COM	COH	BBB	ECL	FFM	FWB	HAB	RMA	RFM	AQM	ALM	ALH	
RFF																	
<b>C506</b>	<b>Reference</b>	<b>M</b>	<b>M</b>														
1153	Reference code qualifier	M an..3	M an..3	<b>BM = Bill of lading number</b>													
1154	Reference identifier	C an..70	C an..70	<b>TRANSPORT DOCUMENT NUMBER</b>	M	M	M		M	M	M	M	M	M	M	M	
																	In the case of FCL and LCL cargo information submitted by the Carrier, this field will contain the MasterBill Of Lading number.  In the case of FCL Groupage cargo information submitted by a Broker, this field will contain the House Bill Of Lading Number.  For Air, in the case of a Master Air Waybill in respect of straight cargo, the Master Air Waybill Number will also be reflected here.  For air, in the case of consolidated cargo, the House Air Waybill number will be reflected here.  In respect of a sub-consolidations the House Air Waybill Number / Bill of Lading Number issued by the co-loading agent to the consignee must be reflected here.  For Rail, supply the Rail Consignment Note Number.  For Road, this is the Waybill/Invoice Number issued by theCarrier for an individual consignment.
1156	Document line identifier	C an..6	C an..6	<b>WAYBILL LINE NUMBER</b>									M				
1056	Version identifier	C an..9	N	Not used													
1060	Revision identifier	C an..6	N	Not used													

**Remark:**

**Example:**

RFF+BM:1112223333444555666777888999000:1'



Counter No	Tag	St	MaxOcc	Level	Name
0370	<b>SG8</b>	C	9999	2	RFF-LOC-GEI-SG9-SG11-SG14
0410 41	<b>LOC</b>	C	99	3	Final Destination

		Standard	Implementation														
Tag	Name	St Format	St Format	Usage / Remark	COM	COH	BBB	ECL	FFM	FWB	HAB	RMA	RFM	AQM	ALM	ALH	Business Rules
LOC					M	M	M		M	M	M		M		M	M	
3227	Location function code qualifier	M an..3	M an..3	<b>8</b> = Place of destination	M	M	M		M	M	M		M		M	M	
<b>C517</b>	<b>Location identification</b>	<b>C</b>	<b>C</b>														
3225	Location identifier	C an..35	C a..5	FINAL DESTINATION UN/LOCODE	M	M	M		M	M	M		M		M	M	Final destination of the cargo as reflected on the transport document.
1131	Code list identification code	C an..17	N	Not used													
3055	Code list responsible agency code	C an..3	N	Not used													
3224	Location name	C an..256	N	Not used													
<b>C519</b>	<b>Related location one identification</b>	<b>C</b>	<b>N</b>														
3223	First related location identifier	C an..35	N	Not used													
1131	Code list identification code	C an..17	N	Not used													
3055	Code list responsible agency code	C an..3	N	Not used													
3222	First related location name	C an..70	N	Not used													
<b>C553</b>	<b>Related location two identification</b>	<b>C</b>	<b>N</b>														
3233	Second related location identifier	C an..35	N	Not used													
1131	Code list identification code	C an..17	N	Not used													
3055	Code list responsible agency code	C an..3	N	Not used													
3232	Second related location name	C an..70	N	Not used													
5479	Relation code	C an..3	N	Not used													

Remark:

Example:

LOC+8+ZADUR'

Counter No	Tag	St	MaxOcc	Level	Name
0370	<b>SG8</b>	C	9999	2	RFF-LOC-GEI-SG9-SG11-SG14
0410 42	<b>LOC</b>	C	99	3	Place of Loading

		Standard	Implementation														
Tag	Name	St Format	St Format	Usage / Remark	COM	COH	BBB	ECL	FFM	FWB	HAB	RMA	RFM	AQM	ALM	ALH	Business Rules
LOC					M	M	M		M	M	M		M		M	M	
3227	Location function code qualifier	M an..3	M an..3	<b>9 = Place of loading</b>	M	M	M		M	M	M		M		M	M	
<b>C517</b>	<b>Location identification</b>	<b>C</b>	<b>C</b>														
3225	Location identifier	C an..35	C a..5	PLACE OF LOADING UN/LOCODE	M	M	M		M	M	M		M		M	M	Place where goods are loaded on board a vessel or aircraft for transport to the Republic. For sea use the UN/LOCODE for air use the IATA airport code.
1131	Code list identification code	C an..17	N	Not used													
3055	Code list responsible agency code	C an..3	N	Not used													
3224	Location name	C an..256	N	Not used													
<b>C519</b>	<b>Related location one identification</b>	<b>C</b>	N														
3223	First related location identifier	C an..35	N	Not used													
1131	Code list identification code	C an..17	N	Not used													
3055	Code list responsible agency code	C an..3	N	Not used													
3222	First related location name	C an..70	N	Not used													
<b>C553</b>	<b>Related location two identification</b>	<b>C</b>	N														
3233	Second related location identifier	C an..35	N	Not used													
1131	Code list identification code	C an..17	N	Not used													
3055	Code list responsible agency code	C an..3	N	Not used													
3232	Second related location name	C an..70	N	Not used													
5479	Relation code	C an..3	N	Not used													

**Remark:**

**Example:**

LOC+9+GBDVR'

Counter No	Tag	St	MaxOcc	Level	Name
0370	<b>SG8</b>	C	9999	2	RFF-LOC-GEI-SG9-SG11-SG14
0410 43	<b>LOC</b>	C	99	3	Original Place of Loading

		Standard	Implementation														Business Rules
Tag	Name	St Format	St Format	Usage / Remark	COM	COH	BBB	ECL	FFM	FWB	HAB	RMA	RFM	AQM	ALM	ALH	
LOC					O	O	O		O	O	O				O	O	
3227	Location function code qualifier	M an..3	M an..3	<b>76 = Original port of loading</b>	O	O	O		O	O	O				O	O	
<b>C517</b>	<b>Location identification</b>	<b>C</b>	<b>C</b>														
3225	Location identifier	C an..35	C a..5	<b>ORIGINAL PLACE OF LOADING UN/LOCODE</b>	O	O	O		O	O	O				O	O	Place or Port where the cargo was originally loaded on a pre-carriage means of transport.
1131	Code list identification code	C an..17	N	Not used													
3055	Code list responsible agency code	C an..3	N	Not used													
3224	Location name	C an..256	N	Not used													
<b>C519</b>	<b>Related location one identification</b>	<b>C</b>	<b>N</b>														
3223	First related location identifier	C an..35	N	Not used													
1131	Code list identification code	C an..17	N	Not used													
3055	Code list responsible agency code	C an..3	N	Not used													
3222	First related location name	C an..70	N	Not used													
<b>C553</b>	<b>Related location two identification</b>	<b>C</b>	<b>N</b>														
3233	Second related location identifier	C an..35	N	Not used													
1131	Code list identification code	C an..17	N	Not used													
3055	Code list responsible agency code	C an..3	N	Not used													
3232	Second related location name	C an..70	N	Not used													
5479	Relation code	C an..3	N	Not used													

Remark:

Example:

LOC+76+GBDU5'

Counter No	Tag	St	MaxOcc	Level	Name
0370	<b>SG8</b>	C	9999	2	RFF-LOC-GEI-SG9-SG11-SG14
0410 44	<b>LOC</b>	C	99	3	Place of Dispatch

		Standard	Implementation														
Tag	Name	St Format	St Format	Usage / Remark	COM	COH	BBB	ECL	FFM	FWB	HAB	RMA	RFM	AQM	ALM	ALH	Business Rules
LOC					O	O	O		O	O	O				O	O	
3227	Location function code qualifier	M an..3	M an..3	<b>80 = Place of despatch</b>	O	O	O		O	O	O				O	O	
<b>C517</b>	<b>Location identification</b>	<b>C</b>	<b>C</b>														
3225	Location identifier	C an..35	C a..5	PLACE OF DESPATCH UN/LOCODE	O	O	O		O	O	O				O	O	Place where cargo was originally dispatched from the supplier's premises for transportation to SA.
1131	Code list identification code	C an..17	N	Not used													
3055	Code list responsible agency code	C an..3	N	Not used													
3224	Location name	C an..256	N	Not used													
<b>C519</b>	<b>Related location one identification</b>	<b>C</b>	<b>N</b>														
3223	First related location identifier	C an..35	N	Not used													
1131	Code list identification code	C an..17	N	Not used													
3055	Code list responsible agency code	C an..3	N	Not used													
3222	First related location name	C an..70	N	Not used													
<b>C553</b>	<b>Related location two identification</b>	<b>C</b>	<b>N</b>														
3233	Second related location identifier	C an..35	N	Not used													
1131	Code list identification code	C an..17	N	Not used													
3055	Code list responsible agency code	C an..3	N	Not used													
3232	Second related location name	C an..70	N	Not used													
5479	Relation code	C an..3	N	Not used													

Remark:

Example:

LOC+80+GBXDK'

Counter No	Tag	St	MaxOcc	Level	Name
0370	<b>SG8</b>	C	9999	2	RFF-LOC-GEI-SG9-SG11-SG14
0410 45	<b>LOC</b>	C	99	3	Forwarding Location

		Standard	Implementation														
Tag	Name	St Format	St Format	Usage / Remark	COM	COH	BBB	ECL	FFM	FWB	HAB	RMA	RFM	AQM	ALM	ALH	Business Rules
LOC												M					
3227	Location function code qualifier	M an..3	M an..3	<b>5</b> = Place of departure													
<b>C517</b>	<b>Location identification</b>	<b>C</b>	<b>C</b>														
3225	Location identifier	C an..35	C an..35	FORWARDING LOCATION Spoornet station/siding list								M					The location number of the place from where the goods are being sent - use the Spoornet code list.
1131	Code list identification code	C an..17	C an..17	<b>37</b> = Railway locations								M					
3055	Code list responsible agency code	C an..3	C an..3	<b>ZZZ</b> = South African Revenue Services								M					
3224	Location name	C an..256	C an..256	FORWARDING LOCATION NAME								O					
<b>C519</b>	<b>Related location one identification</b>	<b>C</b>	N														
3223	First related location identifier	C an..35	N	Not used													
1131	Code list identification code	C an..17	N	Not used													
3055	Code list responsible agency code	C an..3	N	Not used													
3222	First related location name	C an..70	N	Not used													
<b>C553</b>	<b>Related location two identification</b>	<b>C</b>	N														
3233	Second related location identifier	C an..35	N	Not used													
1131	Code list identification code	C an..17	N	Not used													
3055	Code list responsible agency code	C an..3	N	Not used													
3232	Second related location name	C an..70	N	Not used													
5479	Relation code	C an..3	N	Not used													

Remark:

Example:

LOC+5+001740:37:ZZZ:DAISYFIELD'

Counter No	Tag	St	MaxOcc	Level	Name
0370	<b>SG8</b>	C	9999	2	RFF-LOC-GEI-SG9-SG11-SG14
0410 46	<b>LOC</b>	C	99	3	Destination Location

		Standard	Implementation														
Tag	Name	St Format	St Format	Usage / Remark	COM	COH	BBB	ECL	FFM	FWB	HAB	RMA	RFM	AQM	ALM	ALH	Business Rules
LOC												M					
3227	Location function code qualifier	M an..3	M an..3	<b>11</b> = Place of discharge								M					
<b>C517</b>	<b>Location identification</b>	<b>C</b>	<b>C</b>														
3225	Location identifier	C an..35	C an..25	DESTINATION LOCATION Spoornet station/siding list								M					The location number of the place to where the goods are being sent - use the Spoornet code list.
1131	Code list identification code	C an..17	C an..17	<b>37</b> = Railway locations								M					
3055	Code list responsible agency code	C an..3	C an..3	<b>ZZZ</b> = South African Revenue Services								M					
3224	Location name	C an..256	C an..256	DESTINATION LOCATION NAME								O					
<b>C519</b>	<b>Related location one identification</b>	<b>C</b>	N														
3223	First related location identifier	C an..35	N	Not used													
1131	Code list identification code	C an..17	N	Not used													
3055	Code list responsible agency code	C an..3	N	Not used													
3222	First related location name	C an..70	N	Not used													
<b>C553</b>	<b>Related location two identification</b>	<b>C</b>	N														
3233	Second related location identifier	C an..35	N	Not used													
1131	Code list identification code	C an..17	N	Not used													
3055	Code list responsible agency code	C an..3	N	Not used													
3232	Second related location name	C an..70	N	Not used													
5479	Relation code	C an..3	N	Not used													

Remark:

Example:

LOC+11+1820:37:ZZZ:BUSHTICK'

Counter No	Tag	St	MaxOcc	Level	Name
0370	<b>SG8</b>	C	9999	2	RFF-LOC-GEI-SG9-SG11-SG14
0410 47	<b>LOC</b>	C	99	3	Depot of Unpack

		Standard	Implementation														
Tag	Name	St Format	St Format	Usage / Remark	COM	COH	BBB	ECL	FFM	FWB	HAB	RMA	RFM	AQM	ALM	ALH	Business Rules
LOC																	
3227	Location function code qualifier	M an..3	M an..3	<b>104</b> = Place of deconsolidation		O	O			O	O						C
<b>C517</b>	<b>Location identification</b>	<b>C</b>	<b>C</b>			O	O			O	O						O
3225	Location identifier	C an..35	C an..17	DEPOT OF UNPACK SARS Facility Codes		O	O			O	O						O
1131	Code list identification code	C an..17	N	Not used													
3055	Code list responsible agency code	C an..3	N	Not used													
3224	Location name	C an..256	N	Not used													
<b>C519</b>	<b>Related location one identification</b>	<b>C</b>	<b>N</b>														
3223	First related location identifier	C an..35	N	Not used													
1131	Code list identification code	C an..17	N	Not used													
3055	Code list responsible agency code	C an..3	N	Not used													
3222	First related location name	C an..70	N	Not used													
<b>C553</b>	<b>Related location two identification</b>	<b>C</b>	<b>N</b>														
3233	Second related location identifier	C an..35	N	Not used													
1131	Code list identification code	C an..17	N	Not used													
3055	Code list responsible agency code	C an..3	N	Not used													
3232	Second related location name	C an..70	N	Not used													
5479	Relation code	C an..3	N	Not used													

Remark:

Example:

LOC+104+17'

Counter No	Tag	St	MaxOcc	Level	Name
0370	<b>SG8</b>	C	9999	2	RFF-LOC-GEI-SG9-SG11-SG14
0410 48	<b>LOC</b>	C	99	3	Terminal of Discharge

		Standard	Implementation														
Tag	Name	St Format	St Format	Usage / Remark	COM	COH	BBB	ECL	FFM	FWB	HAB	RMA	RFM	AQM	ALM	ALH	Business Rules
LOC						C	C			C	C					C	
3227	Location function code qualifier	M an..3	M an..3	<b>65 = Final port or place of discharge</b>		C	C			C	C					C	
<b>C517</b>	<b>Location identification</b>	<b>C</b>	<b>C</b>														
3225	Location identifier	C an..35	C an..17	TERMINAL OF DISCHARGE SARS Facility Codes		O	O			O	O					O	
1131	Code list identification code	C an..17	N	Not used													
3055	Code list responsible agency code	C an..3	N	Not used													
3224	Location name	C an..256	N	Not used													
<b>C519</b>	<b>Related location one identification</b>	<b>C</b>	<b>N</b>														
3223	First related location identifier	C an..35	N	Not used													
1131	Code list identification code	C an..17	N	Not used													
3055	Code list responsible agency code	C an..3	N	Not used													
3222	First related location name	C an..70	N	Not used													
<b>C553</b>	<b>Related location two identification</b>	<b>C</b>	<b>N</b>														
3233	Second related location identifier	C an..35	N	Not used													
1131	Code list identification code	C an..17	N	Not used													
3055	Code list responsible agency code	C an..3	N	Not used													
3232	Second related location name	C an..70	N	Not used													
5479	Relation code	C an..3	N	Not used													

Remark:

Example:

LOC+65+01'



Counter No	Tag	St	MaxOcc	Level	Name
0370	<b>SG8</b>	C	9999	2	RFF-LOC-GEI-SG9-SG11-SG14
0420 49	<b>GEI</b>	C	9	3	Processing information

Standard		Implementation															
Tag	Name	St Format	St Format	Usage / Remark	COM	COH	BBB	ECL	FFM	FWB	HAB	RMA	RFM	AQM	ALM	ALH	Business Rules
GEI																	
9649	Processing information code qualifier	M an..3	M an..3	<b>5</b> = Consignment type information													
<b>C012</b>	<b>Processing indicator</b>	<b>C</b>	<b>C</b>														
7365	Processing indicator description code	C an..3	C an..3	<b>CARGO RELEASE STATUS</b> <b>1</b> = Goods released <b>2</b> = Goods stopped / detained <b>3</b> = Goods may move under Customs transfer (Customs Intervention) - Conditional Release <b>50</b> = Released to States Warehouse <b>51</b> = Other (Overboard, destroyed, lost etc)										M			
1131	Code list identification code	C an..17	C an..17	<b>42</b> = Business function										M			
3055	Code list responsible agency code	C an..3	N	Not used													
7364	Processing indicator description	C an..35	C an..35	<b>CARGO RELEASE STATUS ADDITIONAL INFORMATION</b> For DOCUMENT TYPE = AQM and Cargo Release Status = Other, then CARGO RELEASE STATUS ADDITIONAL INFO is Mandatory , otherwise optional										C			
7187	Process type description code	C an..17	N	Not used													

Remark:

Example:

GEI+5+51:42::OVERBOARD'

Counter No	Tag	St	MaxOcc	Level	Name
0450	<b>SG9</b>	C	9	3	TDT-SG10
0460 50	<b>TDT</b>	M	1	3	Transport information

		Standard	Implementation														
Tag	Name	St Format	St Format	Usage / Remark	COM	COH	BBB	ECL	FFM	FWB	HAB	RMA	RFM	AQM	ALM	ALH	Business Rules
TDT																	
8051	Transport stage code qualifier	M an..3	M an..3	<b>20 = Main-carriage transport</b>													
8028	Means of transport journey identifier	C an..17	N	Not used													
<b>C220</b>	<b>Mode of transport</b>	<b>C</b>	N														
8067	Transport mode name code	C an..3	N	Not used													
8066	Transport mode name	C an..17	N	Not used													
<b>C001</b>	<b>Transport means</b>	<b>C</b>	N														
8179	Transport means description code	C an..8	N	Not used													
1131	Code list identification code	C an..17	N	Not used													
3055	Code list responsible agency code	C an..3	N	Not used													
8178	Transport means description	C an..17	N	Not used													
<b>C040</b>	<b>Carrier</b>	<b>C</b>	N														
3127	Carrier identifier	C an..17	N	Not used													
1131	Code list identification code	C an..17	N	Not used													
3055	Code list responsible agency code	C an..3	N	Not used													
3126	Carrier name	C an..35	N	Not used													
8101	Transit direction indicator code	C an..3	N	Not used													
<b>C401</b>	<b>Excess transportation information</b>	<b>C</b>	N														
8457	Excess transportation reason code	M an..3	N	Not used													
8459	Excess transportation responsibility code	M an..3	N	Not used													
7130	Customer shipment authorisation identifier	C an..17	N	Not used													
<b>C222</b>	<b>Transport identification</b>	<b>C</b>	N														
8213	Transport means identification name identifier	C an..35	N	Not used													
1131	Code list identification code	C an..17	N	Not used													
3055	Code list responsible agency code	C an..3	N	Not used													
8212	Transport means identification name	C an..70	N	Not used													
8453	Transport means nationality code	C an..3	N	Not used													
8281	Transport means ownership indicator code	C an..3	N	Not used													
<b>C003</b>	<b>Power type</b>	<b>C</b>	N														
7041	Power type code	C an..3	N	Not used													
1131	Code list identification code	C an..17	N	Not used													
3055	Code list responsible agency code	C an..3	N	Not used													
7040	Power type description	C an..17	N	Not used													

Remark:

Example:

TDT+20'

No = Consecutive segment number  
 MaxOcc = Maximum occurrence of the segment/group  
 Counter = Counter of segment/group within the standard

St = Status  
 EDIFACT: M=Mandatory, C=Conditional  
 User specific: M=Mandatory, O=Optional, C=Conditional

Counter No	Tag	St	MaxOcc	Level	Name
0500	SG10	C	1	4	LRN Exit
0510 51	RFF	M	1	4	LRN Exit

		Standard	Implementation																
Tag	Name	St Format	St Format	Usage / Remark	COM	COH	BBB	ECL	FFM	FWB	HAB	RMA	RFM	AQM	ALM	ALH	Business Rules		
RFF													C						
C506	Reference	M	M																
1153	Reference code qualifier	M an..3	M an..3	<b>ABT = Goods declaration document identifier, Customs</b>									C						
1154	Reference identifier	C an..70	C an..70	<p><b>LRN EXIT</b></p> <p><i>If manifest type is export (22), then</i>  <i>The Exit LRN is Mandatory and CUSDEC Referred to must be an export</i>  <i>The Entry LRN must not contain any LRNs</i></p> <p><i>If manifest type is import(23), then</i>  <i>The Entry LRN is mandatory and CUSDEC referred to must be an import</i></p> <p><i>The Exit LRN must not contain any LRNs</i></p> <p><i>If manifest type is transit(28), then</i>  <i>The Entry LRN is mandatory and CUSDEC referred to must be transit</i>  <i>The Exit LRN must not contain any LRNs</i></p> <p><i>If manifest type 'ZZZ' (original)</i>  <i>Transit LRNS can only ever be declared in the LRN Entry field.</i>  <i>Export LRNS can only ever be declared in the LRN Exit Field.</i>  <i>Import LRNS can only ever be declared in the LRN Entry Field.</i>  <i>Both Import and export LRNS may not be declared for the same ZZZ</i></p> <p><i>For amendments manifest type ZZZ:</i>  <i>If BORDERPOST is Road and PLACE OF EXIT = Empty then</i>  <i>All LRN's must be either Transit or Exports</i>  <i>Transit LRN's can only be declared in LRN Entry field</i>  <i>Export LRN's can only be declared in LRN Exit field</i>  <i>All LRNs must not be marked for arrival</i>  <i>If BORDERPOST is Road and PLACE OF EXIT is Sea or Air then</i>  <i>All LRNs must be either Transit or Imports</i>  <i>Transit LRN's can only be declared in LRN Entry field</i>  <i>Import LRN's can only be declared in LRN Entry field</i>  <i>All LRNs must not be marked for arrival</i>  <i>If BORDERPOST is Road and PLACE OF EXIT is Road then</i>  <i>All LRN's must be Transits and Imports</i>  <i>Transit LRN's can only be declared in LRN Entry field where Transits have not been marked for arrival</i>  <i>Import LRN's can only be declared in LRN Entry field where Imports have not been marked for arrival</i>  <b>OR</b>  <i>All LRN's must be transits and Exports and Transit LRN's can only be declared in LRN Entry field where ALL transits have been marked for Exit</i>  <i>Export LRN's can only be declared in LRN Exit field where Exports have not been marked for arrival</i></p>															
1156	Document line identifier	C an..6	N	Not used															
1056	Version identifier	C an..9	N	Not used															
1060	Revision identifier	C an..6	N	Not used															

**Remark:**  
**Example:**  
RFF+ABT:12345678BBR20170620123456'

Counter No	Tag	St	MaxOcc	Level	Name
0500	SG10	C	1	4	LRN / MRN Entry
0510 52	RFF	M	1	4	LRN / MRN Entry

Standard		Implementation													Business Rules		
Tag	Name	St Format	St Format	Usage / Remark	COM	COH	BBB	ECL	FFM	FWB	HAB	RMA	RFM	AQM	ALM	ALH	Business Rules
RFF													C	C			
C506	Reference	M	M														
1153	Reference code qualifier	M an..3	M an..3	AFM = Secondary Customs reference									C	C			
1154	Reference identifier	C an..70	C an..70	LRN / MRN ENTRY If manifest type is export (22), then The Exit LRN is Mandatory and CUSDEC Referred to must be an export The Entry LRN must not contain any LRNs  If manifest type is import(23), then The Entry LRN is mandatory and CUSDEC referred to must be an import  The Exit LRN must not contain any LRNs  If manifest type is transit(28), then The Entry LRN is mandatory and CUSDEC referred to must be transit The Exit LRN must not contain any LRNs  If manifest type 'ZZZ' (original) Transit LRNS can only ever be declared in the LRN Entry field. Export LRNS can only ever be declared in the LRN Exit Field. Import LRNS can only ever be declared in the LRN Entry Field. Both Import and export LRNS may not be declared for the same ZZZ  For amendments manifest type ZZZ: If BORDERPOST is Road and PLACE OF EXIT = Empty then All LRN's must be either Transit or Exports Transit LRN's can only be declared in LRN Entry field Export LRN's can only be declared in LRN Exit field All LRNs must not be marked for arrival If BORDERPOST is Road and PLACE OF EXIT is Sea or Air then All LRNs must be either Transit or Imports Transit LRN's can only be declared in LRN Entry field Import LRN's can only be declared in LRN Entry field All LRNs must not be marked for arrival If BORDERPOST is Road and PLACE OF EXIT is Road then All LRN's must be Transits and Imports Transit LRN's can only be declared in LRN Entry field where Transits have not been marked for arrival Import LRN's can only be declared in LRN Entry field where Imports have not been marked for arrival OR All LRN's must be transits and Exports and Transit LRN's can only be declared in LRN Entry field where ALL transits have been marked for Exit Export LRN's can only be declared in LRN Exit field where Exports have not been marked for arrival											All part-shipments for a single movement will refer to the same LRN. LRN may only be reused if marked for Part-shipment.		
1156	Document line identifier	C an..6	N	Not used													
1056	Version identifier	C an..9	N	Not used													
1060	Revision identifier	C an..6	N	Not used													

Remark:

Example:

RFF+AFM:12345678BBR20170620123456'

No = Consecutive segment number  
 MaxOcc = Maximum occurrence of the segment/group  
 Counter = Counter of segment/group within the standard  
 St = Status  
 EDIFACT: M=Mandatory, C=Conditional  
 User specific: M=Mandatory, O=Optional, C=Conditional

Counter No	Tag	St	MaxOcc	Level	Name
0500	<b>SG10</b>	C	1	4	Previous Modality Transport Document Number
0510 53	<b>RFF</b>	M	1	4	Previous Modality Transport Document

		Standard	Implementation														
Tag	Name	St Format	St Format	Usage / Remark	COM	COH	BBB	ECL	FFM	FWB	HAB	RMA	RFM	AQM	ALM	ALH	Business Rules
RFF													O				
<b>C506</b>	<b>Reference</b>	<b>M</b>	<b>M</b>														
1153	Reference code qualifier	M an..3	M an..3	<b>XP</b> = Previous cargo control number									O				
1154	Reference identifier	C an..70	C an..70	PREVIOUS MODALITY TRANSPORT DOCUMENT NUMBER									O				For multimodal consignments, the previous modality's transport document number
1156	Document line identifier	C an..6	N	Not used													
1056	Version identifier	C an..9	N	Not used													
1060	Revision identifier	C an..6	N	Not used													

**Remark:**

**Example:**

RFF+XP:12345678XYZ'

Counter No	Tag	St	MaxOcc	Level	Name
0500	<b>SG10</b>	C	9	4	UCR
0510 54	<b>RFF</b>	M	1	4	UCR

		Standard	Implementation														
Tag	Name	St Format	St Format	Usage / Remark	COM	COH	BBB	ECL	FFM	FWB	HAB	RMA	RFM	AQM	ALM	ALH	Business Rules
RFF					C	C	C			C	C	C	C		O	O	
<b>C506</b>	<b>Reference</b>	<b>M</b>	<b>M</b>														
1153	Reference code qualifier	M an..3	M an..3	<b>UCN = Unique consignment reference number</b>	C	C	C			C	C	C	C		O	O	
1154	Reference identifier	C an..70	C an..70	UCR (Unique Consignment Reference) <i>For Departures, the UCR is Mandatory</i>	C	C	C			C	C	C	C		O	O	UCR as originally assigned by the Trader. May contain "Not Available" if not known. UCR (as has a one to one relationship with customs declaration) is only applicable on lowest level bill value should be "NOT DECLARATION LEVEL BILL" if not lowest level bill.
1156	Document line identifier	C an..6	N	Not used													
1056	Version identifier	C an..9	N	Not used													
1060	Revision identifier	C an..6	N	Not used													

**Remark:**

**Example:**

RFF+UCN: 7ZA1234567834587ANANAN '

Counter No	Tag	St	MaxOcc	Level	Name
0530	SG11	C	1	3	Consignor Details
0540 55	NAD	M	1	3	Consignor Details

		Standard	Implementation														
Tag	Name	St Format	St Format	Usage / Remark	COM	COH	BBB	ECL	FFM	FWB	HAB	RMA	RFM	AQM	ALM	ALH	Business Rules
NAD					M	M	M								M	M	
3035	Party function code qualifier	M an..3	M an..3	<b>CZ = Consignor</b>	X	X	X								X	X	
<b>C082</b>	<b>Party identification details</b>	<b>C</b>	<b>N</b>														
3039	Party identifier	M an..35	N	Not used													
1131	Code list identification code	C an..17	N	Not used													
3055	Code list responsible agency code	C an..3	N	Not used													
<b>C058</b>	<b>Name and address</b>	<b>C</b>	<b>C</b>														
3124	Name and address description	M an..35	M an..35	<b>CONSIGNOR NAME</b>	M	M	M			M	M	M	M		M	M	Name of the consignor/shipper.
3124	Name and address description	C an..35	C an..35	<b>CONSIGNOR PHYSICAL ADDRESS LINE - 1</b>	M	M	M			M	M	M	M		M	M	Address line 1 of the consignor/shipper. When no address is available, the word "NO ADDRESS SUPPLIED" must be reflected within this field.
3124	Name and address description	C an..35	C an..35	<b>CONSIGNOR PHYSICAL ADDRESS LINE - 2</b>	O	O	O			O	O	O	O		O	O	Address line 2 of the consignor/shipper.
3124	Name and address description	C an..35	C an..35	<b>CONSIGNOR PHYSICAL ADDRESS LINE - 3</b>	O	O	O			O	O	O	O		O	O	Address line 3 of the consignor/shipper.
3124	Name and address description	C an..35	C an..35	<b>CONSIGNOR ADDRESS LINE - 4</b>	O	O	O			O	O	O	O		O	O	Address line 4 of the consignor/shipper.
<b>C080</b>	<b>Party name</b>	<b>C</b>	<b>N</b>														
3036	Party name	M an..70	N	Not used													
3036	Party name	C an..70	N	Not used													
3036	Party name	C an..70	N	Not used													
3036	Party name	C an..70	N	Not used													
3036	Party name	C an..70	N	Not used													
3045	Party name format code	C an..3	N	Not used													
<b>C059</b>	<b>Street</b>	<b>C</b>	<b>C</b>														
3042	Street and number or post office box identifier	M an..35	M an..35	<b>CONSIGNOR POSTAL ADDRESS LINE-1</b>	O	O	O			O	O	O					
3042	Street and number or post office box identifier	C an..35	C an..35	<b>CONSIGNOR POSTAL ADDRESS LINE-2</b>	O	O	O			O	O	O					
3042	Street and number or post office box identifier	C an..35	C an..35	<b>CONSIGNOR POSTAL ADDRESS LINE-3</b>	O	O	O			O	O	O					
3042	Street and number or post office box identifier	C an..35	C an..35	<b>CONSIGNOR POSTAL ADDRESS LINE-4</b>	O	O	O			O	O	O					
3164	City name	C an..35	N	Not used													
<b>C819</b>	<b>Country subdivision details</b>	<b>C</b>	<b>N</b>														
3229	Country subdivision identifier	C an..9	N	Not used													
1131	Code list identification code	C an..17	N	Not used													
3055	Code list responsible agency code	C an..3	N	Not used													
3228	Country subdivision name	C an..70	N	Not used													
3251	Postal identification code	C an..17	N	Not used													
3207	Country identifier	C an..3	N	Not used													

Remark:

Example:

NAD+CZ++Joe Bloggs:10 Some Street:Someplace:Somewhere:Somalia++X:X:X'

No = Consecutive segment number  
 MaxOcc = Maximum occurrence of the segment/group  
 Counter = Counter of segment/group within the standard

St = Status  
 EDIFACT: M=Mandatory, C=Conditional  
 User specific: M=Mandatory, O=Optional, C=Conditional

Counter No	Tag	St	MaxOcc	Level	Name
0530	<b>SG11</b>	C	1	3	Consignee Details
0540 56	<b>NAD</b>	M	1	3	Consignee Details

		Standard	Implementation														
Tag	Name	St Format	St Format	Usage / Remark	COM	COH	BBB	ECL	FFM	FWB	HAB	RMA	RFM	AQM	ALM	ALH	Business Rules
NAD					M	M	M								M	M	
3035	Party function code qualifier	M an..3	M an..3	<b>CN = Consignee</b>	M	M	M								M	M	
<b>C082</b>	<b>Party identification details</b>	<b>C</b>	<b>N</b>														
3039	Party identifier	M an..35	N	Not used													
1131	Code list identification code	C an..17	N	Not used													
3055	Code list responsible agency code	C an..3	N	Not used													
<b>C058</b>	<b>Name and address</b>	<b>C</b>	<b>C</b>														
3124	Name and address description	M an..35	M an..35	<b>CONSIGNEE NAME</b>	M	M	M			M	M	M	M		M	M	Name of the consignee. In the case of a "to order" consignment, the words "TO ORDER" must be reflected within this field.
3124	Name and address description	C an..35	C an..35	<b>CONSIGNEE PHYSICAL ADDRESS LINE - 1</b>	M	M	M			M	M	M	M		M	M	Address line 1 of the consignee. When no address is available, the word "NO ADDRESS SUPPLIED" must be reflected within this field.
3124	Name and address description	C an..35	C an..35	<b>CONSIGNEE PHYSICAL ADDRESS LINE - 2</b>	O	O	O			O	O	O	O		O	O	Address line 2 of the consignee.
3124	Name and address description	C an..35	C an..35	<b>CONSIGNEE PHYSICAL ADDRESS LINE - 3</b>	O	O	O			O	O	O	O		O	O	Address line 3 of the consignee.
3124	Name and address description	C an..35	C an..35	<b>CONSIGNEE PHYSICAL ADDRESS LINE - 4</b>	O	O	O			O	O	O	O		O	O	Address line 4 of the consignee.
<b>C080</b>	<b>Party name</b>	<b>C</b>	<b>N</b>														
3036	Party name	M an..70	N	Not used													
3036	Party name	C an..70	N	Not used													
3036	Party name	C an..70	N	Not used													
3036	Party name	C an..70	N	Not used													
3036	Party name	C an..70	N	Not used													
3045	Party name format code	C an..3	N	Not used													
<b>C059</b>	<b>Street</b>	<b>C</b>	<b>C</b>														
3042	Street and number or post office box identifier	M an..35	O an..35	<b>CONSIGNEE POSTAL ADDRESS LINE-1</b>	O	O	O			O	O	O					
3042	Street and number or post office box identifier	C an..35	C an..35	<b>CONSIGNEE POSTAL ADDRESS LINE-2</b>	O	O	O			O	O	O					
3042	Street and number or post office box identifier	C an..35	C an..35	<b>CONSIGNEE POSTAL ADDRESS LINE-3</b>	O	O	O			O	O	O					
3042	Street and number or post office box identifier	C an..35	C an..35	<b>CONSIGNEE POSTAL ADDRESS LINE-4</b>	O	O	O			O	O	O					
3164	City name	C an..35	N	Not used													
<b>C819</b>	<b>Country subdivision details</b>	<b>C</b>	<b>N</b>														
3229	Country subdivision identifier	C an..9	N	Not used													
1131	Code list identification code	C an..17	N	Not used													
3055	Code list responsible agency code	C an..3	N	Not used													
3228	Country subdivision name	C an..70	N	Not used													
3251	Postal identification code	C an..17	N	Not used													
3207	Country identifier	C an..3	N	Not used													

Remark:

Example:

NAD+CN++Jane Smith:10 Any Street:Anyplace:Anytown:Antingua++X:X:X'

No = Consecutive segment number  
 MaxOcc = Maximum occurrence of the segment/group  
 Counter = Counter of segment/group within the standard

St = Status  
 EDIFACT: M=Mandatory, C=Conditional  
 User specific: M=Mandatory, O=Optional, C=Conditional



Counter No	Tag	St	MaxOcc	Level	Name
0530	<b>SG11</b>	C	1	3	Freight Forwarder Details
0540 57	<b>NAD</b>	M	1	3	Freight Forwarder Details

		Standard	Implementation														Business Rules
Tag	Name	St Format	St Format	Usage / Remark	COM	COH	BBB	ECL	FFM	FWB	HAB	RMA	RFM	AQM	ALM	ALH	
NAD					O	O	O			O	O	O			C	O	
3035	Party function code qualifier	M an..3	M an..3	<b>FW</b> = Freight forwarder	O	O	O			O	O	O			O	O	
<b>C082</b>	<b>Party identification details</b>	<b>C</b>	<b>N</b>														
3039	Party identifier	M an..35	N	Not used													
1131	Code list identification code	C an..17	N	Not used													
3055	Code list responsible agency code	C an..3	N	Not used													
<b>C058</b>	<b>Name and address</b>	<b>C</b>	<b>C</b>														
3124	Name and address description	M an..35	M an..35	<b>FREIGHT FORWARDER NAME</b>	O	O	O			O	O	O			O	O	Name of the freight forwarder.
3124	Name and address description	C an..35	C an..35	<b>FREIGHT FORWARDER ADDRESS-1</b>	O	O	O			O	O	O			O	O	Address line 1 of the freight forwarder.
3124	Name and address description	C an..35	C an..35	<b>FREIGHT FORWARDER ADDRESS-2</b>	O	O	O			O	O	O			O	O	Address line 2 of the freight forwarder.
3124	Name and address description	C an..35	C an..35	<b>FREIGHT FORWARDER ADDRESS-3</b>	O	O	O			O	O	O			O	O	Address line 3 of the freight forwarder.
3124	Name and address description	C an..35	C an..35	<b>FREIGHT FORWARDER ADDRESS-4</b>	O	O	O			O	O	O			O	O	Address line 4 of the freight forwarder.
<b>C080</b>	<b>Party name</b>	<b>C</b>	<b>N</b>														
3036	Party name	M an..70	N	Not used													
3036	Party name	C an..70	N	Not used													
3036	Party name	C an..70	N	Not used													
3036	Party name	C an..70	N	Not used													
3036	Party name	C an..70	N	Not used													
3045	Party name format code	C an..3	N	Not used													
<b>C059</b>	<b>Street</b>	<b>C</b>	<b>N</b>														
3042	Street and number or post office box identifier	M an..35	N	Not used													
3042	Street and number or post office box identifier	C an..35	N	Not used													
3042	Street and number or post office box identifier	C an..35	N	Not used													
3042	Street and number or post office box identifier	C an..35	N	Not used													
3164	City name	C an..35	N	Not used													
<b>C819</b>	<b>Country subdivision details</b>	<b>C</b>	<b>N</b>														
3229	Country subdivision identifier	C an..9	N	Not used													
1131	Code list identification code	C an..17	N	Not used													
3055	Code list responsible agency code	C an..3	N	Not used													
3228	Country subdivision name	C an..70	N	Not used													
3251	Postal identification code	C an..17	N	Not used													
3207	Country identifier	C an..3	N	Not used													

Remark:

Example:

NAD+FW++JJ?'s Freight Forwarders:10 Side Street:Sideplace:Sidetown:Sudan'

No = Consecutive segment number  
 MaxOcc = Maximum occurrence of the segment/group  
 Counter = Counter of segment/group within the standard

St = Status  
 EDIFACT: M=Mandatory, C=Conditional  
 User specific: M=Mandatory, O=Optional, C=Conditional

Counter No	Tag	St	MaxOcc	Level	Name
0530	<b>SG11</b>	C	99	3	Notify Party 1 Details
0540 58	<b>NAD</b>	M	1	3	Notify Party 1 Details

		Standard	Implementation														
Tag	Name	St Format	St Format	Usage / Remark	COM	COH	BBB	ECL	FFM	FWB	HAB	RMA	RFM	AQM	ALM	ALH	Business Rules
NAD					O	O	O										
3035	Party function code qualifier	M an..3	M an..3	<b>NI = Notify party</b>	O	O	O										
<b>C082</b>	<b>Party identification details</b>	<b>C</b>	<b>N</b>														
3039	Party identifier	M an..35	N	Not used													
1131	Code list identification code	C an..17	N	Not used													
3055	Code list responsible agency code	C an..3	N	Not used													
<b>C058</b>	<b>Name and address</b>	<b>C</b>	<b>C</b>														
3124	Name and address description	M an..35	M an..35	<b>NOTIFY PARTY ONE - NAME</b>	O	O	O			O	O	O			O	O	Name of the notify party one.
3124	Name and address description	C an..35	C an..35	<b>NOTIFY PARTY ONE ADDRESS-1</b>	O	O	O			O	O	O			O	O	Address line 1 of the notify party one.
3124	Name and address description	C an..35	C an..35	<b>NOTIFY PARTY ONE ADDRESS-2</b>	O	O	O			O	O	O			O	O	Address line 2 of the notify party one.
3124	Name and address description	C an..35	C an..35	<b>NOTIFY PARTY ONE ADDRESS-3</b>	O	O	O			O	O	O			O	O	Address line 3 of the notify party one.
3124	Name and address description	C an..35	C an..35	<b>NOTIFY PARTY ONE ADDRESS-4</b>	O	O	O			O	O	O			O	O	Address line 4 of the notify party one.
<b>C080</b>	<b>Party name</b>	<b>C</b>	<b>N</b>														
3036	Party name	M an..70	N	Not used													
3036	Party name	C an..70	N	Not used													
3036	Party name	C an..70	N	Not used													
3036	Party name	C an..70	N	Not used													
3036	Party name	C an..70	N	Not used													
3045	Party name format code	C an..3	N	Not used													
<b>C059</b>	<b>Street</b>	<b>C</b>	<b>N</b>														
3042	Street and number or post office box identifier	M an..35	N	Not used													
3042	Street and number or post office box identifier	C an..35	N	Not used													
3042	Street and number or post office box identifier	C an..35	N	Not used													
3042	Street and number or post office box identifier	C an..35	N	Not used													
3164	City name	C an..35	N	Not used													
<b>C819</b>	<b>Country subdivision details</b>	<b>C</b>	<b>N</b>														
3229	Country subdivision identifier	C an..9	N	Not used													
1131	Code list identification code	C an..17	N	Not used													
3055	Code list responsible agency code	C an..3	N	Not used													
3228	Country subdivision name	C an..70	N	Not used													
3251	Postal identification code	C an..17	N	Not used													
3207	Country identifier	C an..3	N	Not used													

Remark:

Example:

NAD+NI++ABC Freight Services:10 Far Street:Farplace:Far town:France'

No = Consecutive segment number

MaxOcc = Maximum occurrence of the segment/group

Counter = Counter of segment/group within the standard

St = Status

EDIFACT: M=Mandatory, C=Conditional

User specific: M=Mandatory, O=Optional, C=Conditional

Counter No	Tag	St	MaxOcc	Level	Name
0530	<b>SG11</b>	C	99	3	Notify Party 2 Details
0540 59	<b>NAD</b>	M	1	3	Notify Party 2 Details

		Standard	Implementation														
Tag	Name	St Format	St Format	Usage / Remark	COM	COH	BBB	ECL	FFM	FWB	HAB	RMA	RFM	AQM	ALM	ALH	Business Rules
NAD																	
3035	Party function code qualifier	M an..3	M an..3	<b>N2 = Notify party no. 2</b>													
<b>C082</b>	<b>Party identification details</b>	<b>C</b>	<b>N</b>														
3039	Party identifier	M an..35	N	Not used													
1131	Code list identification code	C an..17	N	Not used													
3055	Code list responsible agency code	C an..3	N	Not used													
<b>C058</b>	<b>Name and address</b>	<b>C</b>	<b>C</b>														
3124	Name and address description	M an..35	M an..35	<b>NOTIFY PARTY TWO NAME</b>													Name of the notify party two.
3124	Name and address description	C an..35	C an..35	<b>NOTIFY PARTY TWO ADDRESS-1</b>													Address line 1 of the notify party two.
3124	Name and address description	C an..35	C an..35	<b>NOTIFY PARTY TWO ADDRESS-2</b>													Address line 2 of the notify party two.
3124	Name and address description	C an..35	C an..35	<b>NOTIFY PARTY TWO ADDRESS-3</b>													Address line 3 of the notify party two.
3124	Name and address description	C an..35	C an..35	<b>NOTIFY PARTY TWO ADDRESS-4</b>													Address line 4 of the notify party two.
<b>C080</b>	<b>Party name</b>	<b>C</b>	<b>N</b>														
3036	Party name	M an..70	N	Not used													
3036	Party name	C an..70	N	Not used													
3036	Party name	C an..70	N	Not used													
3036	Party name	C an..70	N	Not used													
3036	Party name	C an..70	N	Not used													
3045	Party name format code	C an..3	N	Not used													
<b>C059</b>	<b>Street</b>	<b>C</b>	<b>N</b>														
3042	Street and number or post office box identifier	M an..35	N	Not used													
3042	Street and number or post office box identifier	C an..35	N	Not used													
3042	Street and number or post office box identifier	C an..35	N	Not used													
3042	Street and number or post office box identifier	C an..35	N	Not used													
3164	City name	C an..35	N	Not used													
<b>C819</b>	<b>Country subdivision details</b>	<b>C</b>	<b>N</b>														
3229	Country subdivision identifier	C an..9	N	Not used													
1131	Code list identification code	C an..17	N	Not used													
3055	Code list responsible agency code	C an..3	N	Not used													
3228	Country subdivision name	C an..70	N	Not used													
3251	Postal identification code	C an..17	N	Not used													
3207	Country identifier	C an..3	N	Not used													

Remark:

Example:

NAD+N2++XYZ Freight Services:10 Long Street:Longplace:Longown:Latvia'

No = Consecutive segment number  
 MaxOcc = Maximum occurrence of the segment/group  
 Counter = Counter of segment/group within the standard

St = Status  
 EDIFACT: M=Mandatory, C=Conditional  
 User specific: M=Mandatory, O=Optional, C=Conditional

Counter No	Tag	St	MaxOcc	Level	Name
0630	SG14	M	9999	3	GID-FTX-MEA-SGP-DGS-PCI-CST
0640 60	GID	M	1	3	Goods item details

		Standard	Implementation															Business Rules
Tag	Name	St Format	St Format	Usage / Remark	COM	COH	BBB	ECL	FFM	FWB	HAB	RMA	RFM	AQM	ALM	ALH		
GID																		
1496	Goods item number	C an..6	C n..5	GOODS LINE NUMBER	M	M	M			M	M	M	M		M	M	Sequential goods line number in respect of the goods for this consignment, starting at 1 and incrementing by 1 for each line. If cargo is vehicles, each vehicle must be reflected as a separate repeat of Group 10 with Description in FTX segment , VIN number in PCI segment and VN as type of package in GID segment. If more than one type of hazardous cargo, repeat Group 10 for each type of hazardous cargo. For AQM supply default value of "1" as Group 14 is mandatory.	
<b>C213</b>	<b>Number and type of packages</b>	<b>C</b>	<b>C</b>															
7224	Package quantity	C n..8	C n..8	NUMBER OF PACKAGES <i>For Bulk/Break Bulk manifests where the cargo type is Break Bulk, number and type of packages must be declared.</i>	M	M	C		M	M	M	O	M		M	M		
7065	Package type description code	C an..17	C an..17	TYPE OF PACKAGES <i>For Bulk/Break Bulk manifests where the cargo type is Break Bulk, number and type of packages must be declared.</i> <a href="#">UN Recommendation 21</a>	M	M	C			O	O	O	M		M	M	Use VN (Vehicle) for vehicles as cargo	
1131	Code list identification code	C an..17	N	Not used														
3055	Code list responsible agency code	C an..3	N	Not used														
7064	Type of packages	C an..35	N	Not used														
7233	Packaging related description code	C an..3	N	Not used														
<b>C213</b>	<b>Number and type of packages</b>	<b>C</b>	<b>N</b>															
7224	Package quantity	C n..8	N	Not used														
7065	Package type description code	C an..17	N	Not used														
1131	Code list identification code	C an..17	N	Not used														
3055	Code list responsible agency code	C an..3	N	Not used														
7064	Type of packages	C an..35	N	Not used														
7233	Packaging related description code	C an..3	N	Not used														
<b>C213</b>	<b>Number and type of packages</b>	<b>C</b>	<b>N</b>															
7224	Package quantity	C n..8	N	Not used														
7065	Package type description code	C an..17	N	Not used														
1131	Code list identification code	C an..17	N	Not used														
3055	Code list responsible agency code	C an..3	N	Not used														
7064	Type of packages	C an..35	N	Not used														
7233	Packaging related description code	C an..3	N	Not used														

No = Consecutive segment number  
MaxOcc = Maximum occurrence of the segment/group  
Counter = Counter of segment/group within the standard

St = Status  
EDIFACT: M=Mandatory, C=Conditional  
User specific: M=Mandatory, O=Optional, C=Conditional

		Standard	Implementation														
Tag	Name	St Format	St Format	Usage / Remark	COM	COH	BBB	ECL	FFM	FWB	HAB	RMA	RFM	AQM	ALM	ALH	Business Rules
<b>C213</b>	<b>Number and type of packages</b>	<b>C</b>	N														
7224	Package quantity	C n..8	N	Not used													
7065	Package type description code	C an..17	N	Not used													
1131	Code list identification code	C an..17	N	Not used													
3055	Code list responsible agency code	C an..3	N	Not used													
7064	Type of packages	C an..35	N	Not used													
7233	Packaging related description code	C an..3	N	Not used													

Remark:

Example:

GID+1+9:BX'

Counter No	Tag	St	MaxOcc	Level	Name
0630	<b>SG14</b>	M	9999	3	GID-FTX-MEA-SGP-DGS-PCI-CST
0670 61	<b>FTX</b>	C	99	4	Goods Description

		Standard	Implementation														
Tag	Name	St Format	St Format	Usage / Remark	COM	COH	BBB	ECL	FFM	FWB	HAB	RMA	RFM	AQM	ALM	ALH	Business Rules
FTX					C	C	C		C	C	C	C	M		C	C	
4451	Text subject code qualifier	M an..3	M an..3	AAA = Goods item description	C	C	C		C	C	C	C	M		C	C	
4453	Free text function code	C an..3	N	Not used													
<b>C107</b>	<b>Text reference</b>	<b>C</b>	<b>C</b>														
4441	Free text description code	M an..17	M an..17	CARGO STATUS INDICATOR 5 = Part Shipment 9 = Full Shipment 10 = Final Part of Part Shipment									M				
1131	Code list identification code	C an..17	N	Not used													
3055	Code list responsible agency code	C an..3	N	Not used													
<b>C108</b>	<b>Text literal</b>	<b>C</b>	<b>C</b>														
4440	Free text	M an..512	M an..70	DESCRIPTION OF GOODS - 1 At least one of DESCRIPTION OF GOODS or COMMODITY CODE NUMBER must be provided	C	C	C		C	C	C	C	C		C	C	
4440	Free text	C an..512	C an..70	DESCRIPTION OF GOODS - 2	O	O	O		O	O	O	O	O		O	O	
4440	Free text	C an..512	C an..70	DESCRIPTION OF GOODS - 3	O	O	O		O	O	O	O	O		O	O	
4440	Free text	C an..512	C an..70	DESCRIPTION OF GOODS - 4	O	O	O		O	O	O	O	O		O	O	
4440	Free text	C an..512	C an..70	DESCRIPTION OF GOODS - 5	O	O	O		O	O	O	O	O		O	O	
3453	Language name code	C an..3	N	Not used													
4447	Free text format code	C an..3	N	Not used													

Remark:

Example:

FTX+AAA++9+X:X:X:X:X'

Counter No	Tag	St	MaxOcc	Level	Name
0630	<b>SG14</b>	M	9999	3	GID-FTX-MEA-SGP-DGS-PCI-CST
0680 62	<b>MEA</b>	C	99	4	Gross Volume

Standard		Implementation															
Tag	Name	St Format	St Format	Usage / Remark	COM	COH	BBB	ECL	FFM	FWB	HAB	RMA	RFM	AQM	ALM	ALH	Business Rules
MEA					O	O	O		O	O	O	O	O		O	O	
6311	Measurement purpose code qualifier	M an..3	M an..3	<b>AAE = Measurement</b>	O	O	O		O	O	O	O	O		O	O	
<b>C502</b>	<b>Measurement details</b>	<b>C</b>	<b>C</b>														
6313	Measured attribute code	C an..3	C an..3	<b>AAW = Gross volume</b>	O	O	O		O	O	O	O	O		O	O	
6321	Measurement significance code	C an..3	N	Not used													
6155	Non-discrete measurement name code	C an..17	N	Not used													
6154	Non-discrete measurement name	C an..70	N	Not used													
<b>C174</b>	<b>Value/range</b>	<b>C</b>	<b>C</b>														
6411	Measurement unit code	C an..8	C an..3	<b>UNIT OF MEASURE (VOLUME)</b> <b>MTQ = cubic metre</b> <b>LTR = litre</b>	O	O	O		O	O	O	O	O		O	O	
6314	Measure	C an..18	C n18(3)	<b>GROSS VOLUME</b>	O	O	O		O	O	O	O	O		O	O	Gross volume of the item described.
6162	Range minimum quantity	C n..18	N	Not used													
6152	Range maximum quantity	C n..18	N	Not used													
6432	Significant digits quantity	C n..2	N	Not used													
7383	Surface or layer code	C an..3	N	Not used													

**Remark:**

**Example:**

MEA+AAE+AAW+MTQ:1234'

Counter No	Tag	St	MaxOcc	Level	Name
0630	<b>SG14</b>	M	9999	3	GID-FTX-MEA-SGP-DGS-PCI-CST
0680 63	<b>MEA</b>	C	99	4	Gross Mass

Standard		Implementation															
Tag	Name	St Format	St Format	Usage / Remark	COM	COH	BBB	ECL	FFM	FWB	HAB	RMA	RFM	AQM	ALM	ALH	Business Rules
MEA					M	M	M		M	M	M	M	M		M	M	
6311	Measurement purpose code qualifier	M an..3	M an..3	<b>AAE = Measurement</b>	M	M	M		M	M	M	M	M		M	M	
<b>C502</b>	<b>Measurement details</b>	<b>C</b>	<b>C</b>														
6313	Measured attribute code	C an..3	C an..3	<b>AAB = Goods item gross weight</b>	M	M	M		M	M	M	M	M		M	M	
6321	Measurement significance code	C an..3	N	Not used													
6155	Non-discrete measurement name code	C an..17	N	Not used													
6154	Non-discrete measurement name	C an..70	N	Not used													
<b>C174</b>	<b>Value/range</b>	<b>C</b>	<b>C</b>														
6411	Measurement unit code	C an..8	C an..3	<b>UNIT OF MEASURE (MASS / WEIGHT)</b> <b>KGM = kilogram</b>	M	M	M		M	M	M	M	M		M	M	
6314	Measure	C an..18	C n18(3)	<b>GROSS MASS / WEIGHT</b>	M	M	M		M	M	M	M	M		M	M	Gross mass of the item described.
6162	Range minimum quantity	C n..18	N	Not used													
6152	Range maximum quantity	C n..18	N	Not used													
6432	Significant digits quantity	C n..2	N	Not used													
7383	Surface or layer code	C an..3	N	Not used													

Remark:

Example:

MEA+AAE+AAB+KGM:1000'



Counter No	Tag	St	MaxOcc	Level	Name
0630	<b>SG14</b>	M	9999	3	GID-FTX-MEA-SGP-DGS-PCI-CST
0700 64	<b>SGP</b>	C	9999	4	Split goods placement

		Standard	Implementation														
Tag	Name	St Format	St Format	Usage / Remark	COM	COH	BBB	ECL	FFM	FWB	HAB	RMA	RFM	AQM	ALM	ALH	Business Rules
SGP					M	M							M		M	M	
<b>C237</b>	<b>Equipment identification</b>	<b>M</b>	<b>M</b>														
8260	Equipment identifier	C an..17	C an..17	CONTAINER NUMBER/WAGON NUMBER Must be specified on EQD segment as well	M	M							M		M	M	Specify in which container(s) the goods are NOTE: SGP only required for Containerised Cargo, not required if not containerised.
1131	Code list identification code	C an..17	N	Not used													
3055	Code list responsible agency code	C an..3	N	Not used													
3207	Country identifier	C an..3	N	Not used													
7224	Package quantity	C n..8	C n..8	NUMBER OF PACKAGES	M	M									M	M	The actual number of packages in the container.

**Remark:**

**Example:**

SGP+CNU1234567890+9'

Counter No	Tag	St	MaxOcc	Level	Name	
0630	<b>SG14</b>	M	9999	3	GID-FTX-MEA-SGP-DGS-PCI-CST	
0710	65	<b>DGS</b>	C	1	4	Dangerous goods

Standard		Implementation		Business Rules													
Tag	Name	St Format	St Format	Usage / Remark	COM	COH	BBB	ECL	FFM	FWB	HAB	RMA	RFM	AQM	ALM	ALH	Business Rules
DGS					O	O	O			O	O	O	O		O	O	
8273	Dangerous goods regulations code	C an..3	C an..3	IMD = IMO IMDG code ICA = IATA ICAO													
<b>C205</b>	<b>Hazard code</b>	<b>C</b>	<b>C</b>														
8351	Hazard identification code	M an..7	M an..7	DANGEROUS GOODS CODE/CLASS	O	O	O			O	O	O	O		O	O	
8078	Additional hazard classification identifier	C an..7	C an..7	IMO PAGE NUMBER	O	O	O					O	O		O	O	
8092	Hazard code version identifier	C an..10	C an..10	HAZARDOUS CODE VERSION NO	O	O	O					O	O		O	O	
<b>C234</b>	<b>UNDG information</b>	<b>C</b>	<b>C</b>														
7124	United Nations Dangerous Goods (UNDG) identifier	C n4	C n..4	UNDG NUMBER	O	O	O					O	O		O	O	
7088	Dangerous goods flashpoint description	C an..8	C an..8														
<b>C223</b>	<b>Dangerous goods shipment flashpoint</b>	<b>C</b>	<b>C</b>														
7106	Shipment flashpoint degree	C n3	C n..3	SHIPMENT FLASHPOINT	O	O	O					O	O		O	O	
6411	Measurement unit code	C an..8	C an..8	FLASHPOINT MEASURE UNIT CEL = degree Celsius FAH = degree Fahrenheit	O	O	O					O	O		O	O	
8339	Packaging danger level code	C an..3	C an..3	PACKING GROUP 1 = Great danger 2 = Medium danger 3 = Minor danger	O	O	O					O	O		O	O	
8364	Emergency procedure for ships identifier	C an..8	C an..8	EMS NUMBER	O	O	O					O	O		O	O	
8410	Hazard medical first aid guide identifier	C an..4	C an..4	MEDICAL FIRST AID GUIDE	O	O	O					O	O		O	O	
8126	Transport emergency card identifier	C an..10	N	Not used													
<b>C235</b>	<b>Hazard identification placard details</b>	<b>C</b>	<b>N</b>														
8158	Orange hazard placard upper part identifier	C an..4	N	Not used													
8186	Orange hazard placard lower part identifier	C an4	N	Not used													
<b>C236</b>	<b>Dangerous goods label</b>	<b>C</b>	<b>N</b>														
8246	Dangerous goods marking identifier	C an..4	N	Not used													
8246	Dangerous goods marking identifier	C an..4	N	Not used													
8246	Dangerous goods marking identifier	C an..4	N	Not used													
8246	Dangerous goods marking identifier	C an..4	N	Not used													
8255	Packing instruction type code	C an..3	N	Not used													
8179	Transport means description code	C an..8	N	Not used													
8211	Hazardous cargo transport authorisation code	C an..3	N	Not used													
<b>C289</b>	<b>Tunnel Restriction</b>	<b>C</b>	<b>N</b>														
8461	Tunnel Restriction Code	C an..6	N	Not used													
1131	Code list identification code	C an..17	N	Not used													
3055	Code list responsible agency code	C an..3	N	Not used													

No = Consecutive segment number  
 MaxOcc = Maximum occurrence of the segment/group  
 Counter = Counter of segment/group within the standard

St = Status  
 EDIFACT: M=Mandatory, C=Conditional  
 User specific: M=Mandatory, O=Optional, C=Conditional

**Remark:**

**Example:**

DGS+IMD+X:X:X+9999:X+999:CEL+1+X+X'

No = Consecutive segment number

MaxOcc = Maximum occurrence of the segment/group

Counter = Counter of segment/group within the standard

St = Status

EDIFACT: M=Mandatory, C=Conditional

User specific: M=Mandatory, O=Optional, C=Conditional

Counter No	Tag	St	MaxOcc	Level	Name
0630	<b>SG14</b>	M	9999	3	GID-FTX-MEA-SGP-DGS-PCI-CST
0720 66	<b>PCI</b>	C	1	4	Marks and Numbers

Standard		Implementation															
Tag	Name	St Format	St Format	Usage / Remark	COM	COH	BBB	ECL	FFM	FWB	HAB	RMA	RFM	AQM	ALM	ALH	Business Rules
PCI					M	M	C					O	O		M	M	
4233	Marking instructions code	C an..3	C an..3	<b>24 = Shipper assigned</b>	M	M	C					O	O		M	M	
<b>C210</b>	<b>Marks &amp; labels</b>	<b>C</b>	<b>C</b>														
7102	Shipping marks description	M an..35	M an..35	MARKS AND NUMBERS - 1 <i>Where packaging type is VN (Used for vehicles) the Marks an numbers must contains the Vehicle VIN number in the format "VIN=" followed by the VIN number.</i>	M	M	C					O	O		M	M	Mandatory for Break Bulk, Sea and Air. Optional for Road When cargo is motor vehicle must be "VIN=" followed by VIN number
7102	Shipping marks description	C an..35	C an..35	MARKS AND NUMBERS - 2	M	M	C					O	O		M	M	
7102	Shipping marks description	C an..35	C an..35	MARKS AND NUMBERS - 3	M	M	C					O	O		M	M	
7102	Shipping marks description	C an..35	C an..35	MARKS AND NUMBERS - 4	M	M	C					O	O		M	M	
7102	Shipping marks description	C an..35	C an..35	MARKS AND NUMBERS - 5	M	M	C					O	O		M	M	
7102	Shipping marks description	C an..35	C an..35	MARKS AND NUMBERS - 6	M	M	C					O	O		M	M	
7102	Shipping marks description	C an..35	C an..35	MARKS AND NUMBERS - 7	M	M	C					O	O		M	M	
7102	Shipping marks description	C an..35	C an..35	MARKS AND NUMBERS - 8	M	M	C					O	O		M	M	
7102	Shipping marks description	C an..35	C an..35	MARKS AND NUMBERS - 9	M	M	C					O	O		M	M	
7102	Shipping marks description	C an..35	C an..35	MARKS AND NUMBERS - 10	M	M	C					O	O		M	M	
8169	Full or empty indicator code	C an..3	N	Not used													
<b>C827</b>	<b>Type of marking</b>	<b>C</b>	<b>N</b>														
7511	Marking type code	M an..3	N	Not used													
1131	Code list identification code	C an..17	N	Not used													
3055	Code list responsible agency code	C an..3	N	Not used													

Remark:

Example:

PCI+24+X:X:X:X:X:X:X:X'

Counter No	Tag	St	MaxOcc	Level	Name
0630	<b>SG14</b>	M	9999	3	GID-FTX-MEA-SGP-DGS-PCI-CST
0730 67	<b>CST</b>	C	1	4	Customs status of goods

		Standard	Implementation														
Tag	Name	St Format	St Format	Usage / Remark	COM	COH	BBB	ECL	FFM	FWB	HAB	RMA	RFM	AQM	ALM	ALH	Business Rules
CST					C	C	C				C	C	O		C	C	
1496	Goods item number	C an..6	N	Not used													
<b>C246</b>	<b>Customs identity codes</b>	<b>C</b>	<b>C</b>														
7361	Customs goods identifier	M an..18	M an..18	COMMODITY CODE NUMBER <i>At least one of DESCRIPTION OF GOODS or COMMODITY CODE NUMBER must be provided</i>	C	C	C				C	C	C		C	C	Six H.S. Digit Tariff Code.
1131	Code list identification code	C an..17	N	Not used													
3055	Code list responsible agency code	C an..3	N	Not used													
<b>C246</b>	<b>Customs identity codes</b>	<b>C</b>	<b>N</b>														
7361	Customs goods identifier	M an..18	N	Not used													
1131	Code list identification code	C an..17	N	Not used													
3055	Code list responsible agency code	C an..3	N	Not used													
<b>C246</b>	<b>Customs identity codes</b>	<b>C</b>	<b>N</b>														
7361	Customs goods identifier	M an..18	N	Not used													
1131	Code list identification code	C an..17	N	Not used													
3055	Code list responsible agency code	C an..3	N	Not used													
<b>C246</b>	<b>Customs identity codes</b>	<b>C</b>	<b>N</b>														
7361	Customs goods identifier	M an..18	N	Not used													
1131	Code list identification code	C an..17	N	Not used													
3055	Code list responsible agency code	C an..3	N	Not used													

Remark:

Example:  
CST++630411000'

No = Consecutive segment number  
 MaxOcc = Maximum occurrence of the segment/group  
 Counter = Counter of segment/group within the standard  
 St = Status  
 EDIFACT: M=Mandatory, C=Conditional  
 User specific: M=Mandatory, O=Optional, C=Conditional

Counter	No	Tag	St	MaxOcc	Level	Name
0890	68	<b>UNT</b>	M	1	0	Message trailer

Standard		Implementation															
Tag	Name	St Format	St Format	Usage / Remark	COM	COH	BBB	ECL	FFM	FWB	HAB	RMA	RFM	AQM	ALM	ALH	Business Rules
UNT																	
0074	Number of segments in a message	M n..10	M n..10	Number of segments from UNH to UNT (including both)													
0062	Message reference number	M an..14	M an..14	Must match Message Reference Number in UNH													

Remark:

Example:

UNT+68+1212121212'

Counter No	Tag	St	MaxOcc	Level	Name
0000 69	<b>UNZ</b>	M	1	0	Interchange trailer

Standard		Implementation															
Tag	Name	St Format	St Format	Usage / Remark	COM	COH	BBB	ECL	FFM	FWB	HAB	RMA	RFM	AQM	ALM	ALH	Business Rules
UNZ																	
0036	Interchange control count	M n..6	M n..6	Number of messages in interchange													
0020	Interchange control reference	M an..14	M an..14	Must match Interchange control reference in UNB													

**Remark:**

**Example:**  
UNZ+1+1234567890'

No = Consecutive segment number  
 MaxOcc = Maximum occurrence of the segment/group  
 Counter = Counter of segment/group within the standard  
 St = Status  
 EDIFACT: M=Mandatory, C=Conditional  
 User specific: M=Mandatory, O=Optional, C=Conditional