



Message Implementation Guideline

CALINF

based on

CALINF

Vessel call information message

UN D.16A S4

Version: 1
Variant: 4
Issue date: 2018/08/14
Author: SARS EDI TEAM

Change Log:

- 1.2.a - UNH change EDIFACT directory from D.16B to D.16A
- 1.3.a - MESSAGE SENDER AAR, ARR, SCH, ASC status changed from "M" to "C"
- 1.4.a -ID OF MEANS OF TRANSPORT optional for ASC and AAR

1 Message Structure.....	2
2 Branching Diagram	3
3 Segments	4

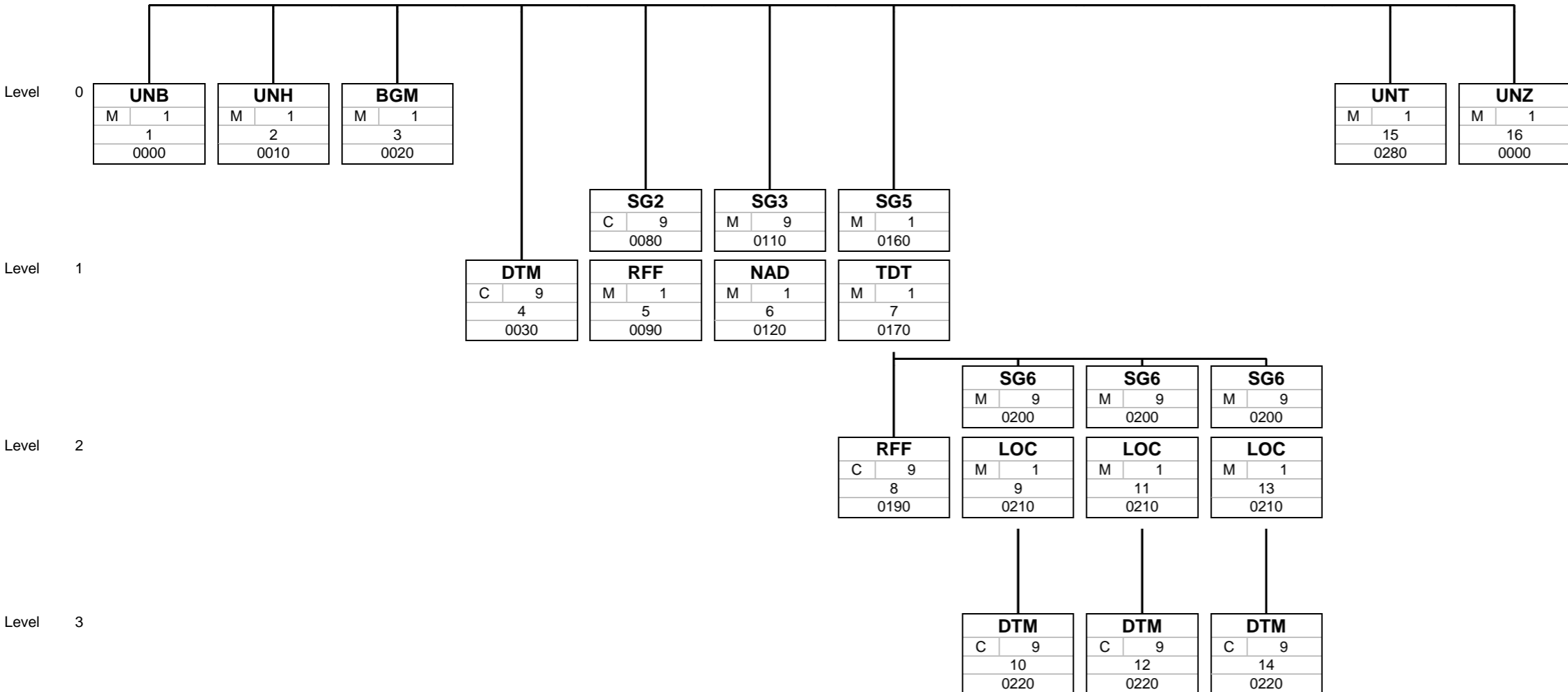
Structure / Table of Contents

Counter	No	Tag	St	MaxOcc	Level	Content
0000	1	UNB	M	1	0	Interchange header
0010	2	UNH	M	1	0	Message header
0020	3	BGM	M	1	0	Beginning of message
0030	4	DTM	C	9	1	DOCUMENT DATE/TIME
0080		SG2	C	9	1	DOCUMENT TO BE AMENDED
0090	5	RFF	M	1	1	DOCUMENT TO BE AMENDED
0110		SG3	M	9	1	MESSAGE SENDER
0120	6	NAD	M	1	1	MESSAGE SENDER
0160		SG5	M	1	1	TDT-RFF-SG6-SG6-SG6
0170	7	TDT	M	1	1	Transport information
0190	8	RFF	C	9	2	PRINCIPAL CARRIER CONVEYANCE NUMBER
0200		SG6	M	9	2	Departure Details
0210	9	LOC	M	1	2	PLACE OF DEPARTURE
0220	10	DTM	C	9	3	DATE/TIME OF DEPARTURE
0200		SG6	M	9	2	Discharge Details
0210	11	LOC	M	1	2	PLACE OF DISCHARGE
0220	12	DTM	C	9	3	ACTUAL ARRIVAL DATE/TIME
0200		SG6	M	9	2	Call Details
0210	13	LOC	M	1	2	PLACE OF CALL
0220	14	DTM	C	9	3	ESTIMATED DATE/TIME OF ARRIVAL
0280	15	UNT	M	1	0	Message trailer
0000	16	UNZ	M	1	0	Interchange trailer

Counter = Counter of segment/group within the standard
 No = Consecutive segment number
 MaxOcc = Maximum occurrence of the segment/group

St = Status
 EDIFACT: M=Mandatory, C=Conditional
 User specific: R=Required, O=Optional, D=Dependent,
 A=Advised, N=Not used

Branching Diagram of Used Segments/Groups



Tag
St MaxOcc
No
Counter

Tag = Segment/Group Tag
 St = Status (M=Mandatory, C=Conditional, R=Required, O=Optional, A=Advised, D=Dependent)
 MaxOcc = Maximum occurrence of the segment/group
 No = Consecutive segment number
 Counter = Counter of segment/group within the standard

Segments

Counter No	Tag	St	MaxOcc	Level	Name
------------	-----	----	--------	-------	------

0000 1 **UNB** M 1 0 Interchange header

Standard		Implementation									Business Rules
Tag	Name	St Format	St Format	Usage / Remark	SCH	ARR	ASC	AAR	TRA	TRS	
UNB											
S001	Syntax identifier	M	M								
0001	Syntax identifier	M a4	M a4	UNOB = UN/ECE level B	M	M	M	M	M	M	
0002	Syntax version number	M an1	M an1	4 = Version 4	M	M	M	M	M	M	
0080	Service code list directory version number	C an..6	N	Not used							
0133	Character encoding, coded	C an..3	N	Not used							
0076	Syntax release number	C an2	N	Not used							
S002	Interchange sender	M	M								
0004	Interchange sender identification	M an..35	M an..35	SARS assigned EDI Profile Code including dual code (if applicable)	M	M	M	M	M	M	
0007	Identification code qualifier	C an..4	N	Not used							
0008	Interchange sender internal identification	C an..35	C an..35		M	M	M	M	M	M	
0042	Interchange sender internal sub-identification	C an..35	C an..35		M	M	M	M	M	M	
S003	Interchange recipient	M	M								
0010	Interchange recipient identification	M an..35	M an..35	SARSCAR = Production System SARSCART = Test System	M	M	M	M	M	M	
0007	Identification code qualifier	C an..4	N	Not used							
0014	Interchange recipient internal identification	C an..35	N	Not used							
0046	Interchange recipient internal sub-identification	C an..35	N	Not used							
S004	Date and time of preparation	M	M								
0017	Date	M n8	M n8		M	M	M	M	M	M	
0019	Time	M n4	M n4		M	M	M	M	M	M	
0020	Interchange control reference	M an..14	M an..14		M	M	M	M	M	M	
S005	Recipient reference/password details	C	N								
0022	Recipient reference/password	M an..14	N	Not used							
0025	Recipient reference/password qualifier	C an2	N	Not used							
0026	Application reference	C an..14	C an..14	CALINF = Call Information Message	O	O	O	O	O	O	
0029	Processing priority code	C a1	N	Not used							
0031	Acknowledgement request	C n1	C n1	1 = Acknowledgement requested	O	O	O	O	O	O	
0032	Interchange agreement identifier	C an..35	C an..35	Required for X.400	C	C	C	C	C	C	
0035	Test indicator	C n1	C n1	Required if test, omit if production 1 = Interchange is a test	C	C	C	C	C	C	

Remark:

Example:

UNB+UNOB:4+12345678ABC::ABCDEFGHIJKLMNPO:SPCAS2+SARSCAR+20170910:1331+1234567890++CALINF++1+X.400
Mailbox+1'

No = Consecutive segment number
MaxOcc = Maximum occurrence of the segment/group
Counter = Counter of segment/group within the standard
St = Status
EDIFACT: M=Mandatory, C=Conditional
User specific: M=Mandatory, O=Optional, C=Conditional

Counter No	Tag	St	MaxOcc	Level	Name
------------	-----	----	--------	-------	------

0010 2 **UNH** M 1 0 Message header

		Standard	Implementation		SCH	ARR	ASC	AAR	TRA	TRS	Business Rules
Tag	Name	St Format	St Format	Usage / Remark							
UNH											
0062	Message reference number	M an..14	M an..14								
S009	Message identifier	M	M								
0065	Message type	M an..6	M an..6	CALINF = Vessel call information message							
0052	Message version number	M an..3	M an..3	D = Draft version/UN/EDIFACT Directory							
0054	Message release number	M an..3	M an..3	16A = Release 2016 - A							
0051	Controlling agency, coded	M an..3	M an..3	UN = UN/CEFACT							
0057	Association assigned code	C an..6	C an..6	RCG001 = RCG Version 1							
0110	Code list directory version number	C an..6	N	Not used							
0113	Message type sub-function identification	C an..6	N	Not used							
0068	Common access reference	C an..35	N	Not used							
S010	Status of the transfer	C	N								
0070	Sequence of transfers	M n..2	N	Not used							
0073	First and last transfer	C a1	N	Not used							
S016	Message subset identification	C	N								
0115	Message subset identification	M an..14	N	Not used							
0116	Message subset version number	C an..3	N	Not used							
0118	Message subset release number	C an..3	N	Not used							
0051	Controlling agency, coded	C an..3	N	Not used							
S017	Message implementation guideline identification	C	N								
0121	Message implementation guideline identification	M an..14	N	Not used							
0122	Message implementation guideline version number	C an..3	N	Not used							
0124	Message implementation guideline release number	C an..3	N	Not used							
0051	Controlling agency, coded	C an..3	N	Not used							
S018	Scenario identification	C	N								
0127	Scenario identification	M an..14	N	Not used							
0128	Scenario version number	C an..3	N	Not used							
0130	Scenario release number	C an..3	N	Not used							
0051	Controlling agency, coded	C an..3	N	Not used							

Remark:

Example:

UNH+12345678901234+CALINF:D:16A:UN:RCG001'

No = Consecutive segment number
 MaxOcc = Maximum occurrence of the segment/group
 Counter = Counter of segment/group within the standard

St = Status
 EDIFACT: M=Mandatory, C=Conditional
 User specific: M=Mandatory, O=Optional, C=Conditional

Counter No	Tag	St	MaxOcc	Level	Name
------------	-----	----	--------	-------	------

0020 3 **BGM** M 1 0 Beginning of message

		Standard	Implementation			SCH	ARR	ASC	AAR	TRA	TRS	Business Rules
Tag	Name	St Format	St Format	Usage / Remark								
BGM												
C002	Document/message name	C	C									
1001	Document name code	C an..3	M an..3	96 = Impending arrival 98 = Arrival information 124 = Transport departure report DOCUMENT TYPE	M	M	M	M	M	M	Schedules only applicable to inbound movements	
1131	Code list identification code	C an..17	N	Not used								
3055	Code list responsible agency code	C an..3	N	Not used								
1000	Document name	C an..35	C an..35	SCH = Maritime Schedule [Doc Name 96] ARR = Maritime Arrival [Doc Name 98 for Inbound and 124 for Outbound] ASC = Air Schedule [Doc Name 96] AAR = Air Arrival [Doc Name 98 for Inbound and 124 for Outbound] TRA = Rail Arrival [Doc Name 98 for Inbound and 124 for Outbound] TRS = Rail Schedule [Doc Name 96]	M	M	M	M	M	M		
C106	Document/message identification	C	C									
1004	Document identifier	C an..70	M an..35	DOCUMENT/MESSAGE NUMBER A unique reference number assigned to the electronic document.	M	M	M	M	M	M		
1056	Version identifier	C an..9	N	Not used								
1060	Revision identifier	C an..6	N	Not used								
1225	Message function code	C an..3	M an..3	1 = Cancellation 4 = Change 9 = Original MESSAGE FUNCTION	M	M	M	M	M	M		
4343	Response type code	C an..3	N	Not used								
1373	Document status code	C an..3	N	Not used								
3453	Language name code	C an..3	N	Not used								

Remark:

Example:

BGM+96:::SCH+1234567890+1'

Counter No	Tag	St	MaxOcc	Level	Name
------------	-----	----	--------	-------	------

0030 4 **DTM** C 9 1 DOCUMENT DATE/TIME

		Standard	Implementation		SCH	ARR	ASC	AAR	TRA	TRS	Business Rules
Tag	Name	St Format	St Format	Usage / Remark							
DTM											
C507	Date/time/period	M	M								
2005	Date or time or period function code qualifier	M an..3	M an..3	137 = Document issue date time							
2380	Date or time or period text	C an..35	M n12	DOCUMENT DATE/TIME	M	M	M	M	M	M	
2379	Date or time or period format code	C an..3	C an..3	203 = CCYYMMDDHHMM							

Remark:

Example:
DTM+137:201709101344:203'

No = Consecutive segment number
 MaxOcc = Maximum occurrence of the segment/group
 Counter = Counter of segment/group within the standard
 St = Status
 EDIFACT: M=Mandatory, C=Conditional
 User specific: M=Mandatory, O=Optional, C=Conditional

Counter No	Tag	St	MaxOcc	Level	Name
0080	SG2	C	9	1	DOCUMENT TO BE AMENDED
0090	5 RFF	M	1	1	DOCUMENT TO BE AMENDED

		Standard	Implementation		SCH	ARR	ASC	AAR	TRA	TRS	Business Rules
Tag	Name	St Format	St Format	Usage / Remark							
RFF											
C506	Reference	M	M								
1153	Reference code qualifier	M an..3	M an..3	ACW = Reference number to previous message							
1154	Reference identifier	C an..70	C an..35	Mandatory should this message be an amendment or cancellation to a previous message. DOCUMENT TO BE AMENDED	C	C	C	C	C	C	
1156	Document line identifier	C an..6	N	Not used							
1056	Version identifier	C an..9	N	Not used							
1060	Revision identifier	C an..6	N	Not used							

Remark:

Example:

RFF+ACW:123456780'

Counter No	Tag	St	MaxOcc	Level	Name
0110	SG3	M	9	1	MESSAGE SENDER
0120	6 NAD	M	1	1	MESSAGE SENDER

Standard		Implementation									Business Rules
Tag	Name	St Format	St Format	Usage / Remark	SCH	ARR	ASC	AAR	TRA	TRS	
NAD											
3035	Party function code qualifier	M an..3	M an..3	MS = Document/message issuer/sender							
C082	Party identification details	C	C								
3039	Party identifier	M an..35	M an..35	Port authorities must supply the arrival MESSAGE SENDER Must be the same as the sender id in the UNB	C	C	C	C	M	M	
1131	Code list identification code	C an..17	C an..17	172 = Carrier Code							
3055	Code list responsible agency code	C an..3	C an..3	20 = BIC (Bureau International des Containeurs) 166 = US, National Motor Freight Classification Association 3 = IATA (International Air Transport Association) ZZZ = South African Revenue Service							
C058	Name and address	C	N								
3124	Name and address description	M an..35	N	Not used							
3124	Name and address description	C an..35	N	Not used							
3124	Name and address description	C an..35	N	Not used							
3124	Name and address description	C an..35	N	Not used							
3124	Name and address description	C an..35	N	Not used							
C080	Party name	C	N								
3036	Party name	M an..70	N	Not used							
3036	Party name	C an..70	N	Not used							
3036	Party name	C an..70	N	Not used							
3036	Party name	C an..70	N	Not used							
3036	Party name	C an..70	N	Not used							
3045	Party name format code	C an..3	N	Not used							
C059	Street	C	N								
3042	Street and number or post office box identifier	M an..35	N	Not used							
3042	Street and number or post office box identifier	C an..35	N	Not used							
3042	Street and number or post office box identifier	C an..35	N	Not used							
3042	Street and number or post office box identifier	C an..35	N	Not used							
3164	City name	C an..35	N	Not used							
C819	Country subdivision details	C	N								
3229	Country subdivision identifier	C an..9	N	Not used							
1131	Code list identification code	C an..17	N	Not used							
3055	Code list responsible agency code	C an..3	N	Not used							
3228	Country subdivision name	C an..70	N	Not used							
3251	Postal identification code	C an..17	N	Not used							
3207	Country identifier	C an..3	N	Not used							

Remark:

Example:

NAD+MS+12345678ABC::20'

No = Consecutive segment number
 MaxOcc = Maximum occurrence of the segment/group
 Counter = Counter of segment/group within the standard
 St = Status
 EDIFACT: M=Mandatory, C=Conditional
 User specific: M=Mandatory, O=Optional, C=Conditional

Counter No	Tag	St	MaxOcc	Level	Name
0160	SG5	M	1	1	TDT-RFF-SG6
0170	TDT	M	1	1	Transport information

Standard		Implementation									Business Rules
Tag	Name	St Format	St Format	Usage / Remark	SCH	ARR	ASC	AAR	TRA	TRS	
TDT											
8051	Transport stage code qualifier	M an..3	M an..3	20 = Main-carriage transport							
8028	Means of transport journey identifier	C an..17	M an..17	CONVEYANCE NUMBER	M	M	M	M	M	M	The voyage, flight number or journey number assigned by the Carrier who owns, operates or leases the means of transport on which the goods are transported.
C220	Mode of transport	C	C								
8067	Transport mode name code	C an..3	M an..3	1 = Maritime transport 2 = Rail transport 4 = Air transport	M	M	M	M	M	M	
8066	Transport mode name	C an..17	N	Not used							
C001	Transport means	C	N								
8179	Transport means description code	C an..8	N	Not used							
1131	Code list identification code	C an..17	N	Not used							
3055	Code list responsible agency code	C an..3	N	Not used							
8178	Transport means description	C an..17	N	Not used							
C040	Carrier	C	C								
3127	Carrier identifier	C an..17	C an..17	CARRIER CODE	M	M	M	M	M	M	The BIC, SCAC, IATA or SARS-assigned code of a shipping line, airline, rail carrier or road carrier carrying on business by transporting goods for reward or transporting goods in the course of conducting its business. For rail use "TFR"
1131	Code list identification code	C an..17	C an..17	172 = Carrier Code							
3055	Code list responsible agency code	C an..3	C an..3	20 = BIC (Bureau International des Containeurs) 166 = US, National Motor Freight Classification Association 3 = IATA (International Air Transport Association)							
3126	Carrier name	C an..35	C an..35	CARRIER NAME	M	M	O	O	O	O	
8101	Transit direction indicator code	C an..3	C an..3								
C401	Excess transportation information	C	N								
8457	Excess transportation reason code	M an..3	N	Not used							
8459	Excess transportation responsibility code	M an..3	N	Not used							
7130	Customer shipment authorisation identifier	C an..17	N	Not used							
C222	Transport identification	C	C								
8213	Transport means identification name identifier	C an..35	M an..9	ID OF MEANS OF TRANSPORT	M	M	O	O			Radio Call Sign/Registration Number of aircraft
1131	Code list identification code	C an..17	C an..17	103 = Call sign directory 146 = Means of transport identification							
3055	Code list responsible agency code	C an..3	N	Not used							
8212	Transport means identification name	C an..70	C an..70	NAME OF MEANS OF TRANSPORT	M	M	O	O	O	O	
8453	Transport means nationality code	C an..3	C an..3	NATIONALITY OF MEANS OF TRANSPORT	O	O	O	O	O	O	
8281	Transport means ownership indicator code	C an..3	N	Not used							
C003	Power type	C	N								
7041	Power type code	C an..3	N	Not used							
1131	Code list identification code	C an..17	N	Not used							
3055	Code list responsible agency code	C an..3	N	Not used							

No = Consecutive segment number
 MaxOcc = Maximum occurrence of the segment/group
 Counter = Counter of segment/group within the standard
 St = Status
 EDIFACT: M=Mandatory, C=Conditional
 User specific: M=Mandatory, O=Optional, C=Conditional

		Standard	Implementation								
Tag	Name	St Format	St Format	Usage / Remark	SCH	ARR	ASC	AAR	TRA	TRS	Business Rules
7040	code Power type description	C an..17	N	Not used							

Remark:

Example:
TDT+20+AAA345667+1++ABCD:172:20:X+BS++ASER543:::X:AD'

No = Consecutive segment number
 MaxOcc = Maximum occurrence of the segment/group
 Counter = Counter of segment/group within the standard
 St = Status
 EDIFACT: M=Mandatory, C=Conditional
 User specific: M=Mandatory, O=Optional, C=Conditional

Counter No	Tag	St	MaxOcc	Level	Name
0160	SG5	M	1	1	TDT-RFF-SG6
0190	8 RFF	C	9	2	PRINCIPAL CARRIER CONVEYANCE NUMBER

		Standard	Implementation		SCH	ARR	ASC	AAR	TRA	TRS	Business Rules
Tag	Name	St Format	St Format	Usage / Remark							
RFF											
C506	Reference	M	M								
1153	Reference code qualifier	M an..3	M an..3	ACL = Principal reference number							
1154	Reference identifier	C an..70	M an..17	PRINCIPAL CARRIER CONVEYANCE NUMBER	M	M	M	M	M	M	The voyage or flight number assigned by the Carrier who owns, operates or leases the means of transport on which the goods are transported.
1156	Document line identifier	C an..6	N	Not used							
1056	Version identifier	C an..9	N	Not used							
1060	Revision identifier	C an..6	N	Not used							

Remark:

Example:

RFF+ACL:DDD4455667'

Counter No	Tag	St	MaxOcc	Level	Name
0200	SG6	M	9	2	Departure Details
0210	9 LOC	M	1	2	PLACE OF DEPARTURE

Standard		Implementation		Business Rules						
Tag	Name	St Format	St Format	Usage / Remark	SCH	ARR	ASC	AAR	TRA	TRS
LOC										
3227	Location function code qualifier	M an..3	M an..3	5 = Place of departure PLACE IDENTIFIER						
C517	Location identification	C	C							
3225	Location identifier	C an..35	M an5	Mandatory for Outbound Movements PLACE OF DEPARTURE	M	C	M	C	C	M
1131	Code list identification code	C an..17	C an..17	139 = Port 145 = Airport 37 = Railway Locations						
3055	Code list responsible agency code	C an..3	C an..3	6 = UN/ECE (United Nations - Economic Commission for Europe) 3 = IATA (International Air Transport Association)						
3224	Location name	C an..256	N	Not used						
C519	Related location one identification	C	N							
3223	First related location identifier	C an..35	N	Not used						
1131	Code list identification code	C an..17	N	Not used						
3055	Code list responsible agency code	C an..3	N	Not used						
3222	First related location name	C an..70	N	Not used						
C553	Related location two identification	C	N							
3233	Second related location identifier	C an..35	N	Not used						
1131	Code list identification code	C an..17	N	Not used						
3055	Code list responsible agency code	C an..3	N	Not used						
3232	Second related location name	C an..70	N	Not used						
5479	Relation code	C an..3	N	Not used						

Remark:

Example:

LOC+5+GBAAA:139:6'

Counter No	Tag	St	MaxOcc	Level	Name
0200	SG6	M	9	2	Departure Details
0220 10	DTM	C	9	3	DATE/TIME OF DEPARTURE

		Standard	Implementation		SCH	ARR	ASC	AAR	TRA	TRS	Business Rules
Tag	Name	St Format	St Format	Usage / Remark							
DTM											
C507	Date/time/period	M	M								
2005	Date or time or period function code qualifier	M an..3	M an..3	136 = Transport means departure date time, actual							
2380	Date or time or period text	C an..35	M n12	Mandatory for Outbound Movements DATE/TIME OF DEPARTURE	M	C	M	C	C	M	
2379	Date or time or period format code	C an..3	C an..3	203 = CCYYMMDDHHMM							

Remark:

Example:
DTM+136:201709010600:203'

No = Consecutive segment number
 MaxOcc = Maximum occurrence of the segment/group
 Counter = Counter of segment/group within the standard
 St = Status
 EDIFACT: M=Mandatory, C=Conditional
 User specific: M=Mandatory, O=Optional, C=Conditional

Counter No	Tag	St	MaxOcc	Level	Name
0200	SG6	M	9	2	Discharge Details
0210 11	LOC	M	1	2	PLACE OF DISCHARGE

Standard		Implementation									Business Rules
Tag	Name	St Format	St Format	Usage / Remark	SCH	ARR	ASC	AAR	TRA	TRS	
LOC											
3227	Location function code qualifier	M an..3	M an..3	11 = Place of discharge PLACE IDENTIFIER							
C517	Location identification	C	C								
3225	Location identifier	C an..35	C an5	Mandatory for Inbound Movements PLACE OF DISCHARGE		C		C	C		
1131	Code list identification code	C an..17	C an..17	139 = Port 145 = Airport 37 = Railway Locations							
3055	Code list responsible agency code	C an..3	C an..3	6 = UN/ECE (United Nations - Economic Commission for Europe) 3 = IATA (International Air Transport Association)							
3224	Location name	C an..256	N	Not used							
C519	Related location one identification	C	N								
3223	First related location identifier	C an..35	N	Not used							
1131	Code list identification code	C an..17	N	Not used							
3055	Code list responsible agency code	C an..3	N	Not used							
3222	First related location name	C an..70	N	Not used							
C553	Related location two identification	C	N								
3233	Second related location identifier	C an..35	N	Not used							
1131	Code list identification code	C an..17	N	Not used							
3055	Code list responsible agency code	C an..3	N	Not used							
3232	Second related location name	C an..70	N	Not used							
5479	Relation code	C an..3	N	Not used							

Remark:

Example:

LOC+11+ZADUR:139:6'

Counter No	Tag	St	MaxOcc	Level	Name
0200	SG6	M	9	2	Discharge Details
0220 12	DTM	C	9	3	ACTUAL ARRIVAL DATE/TIME

		Standard	Implementation		SCH	ARR	ASC	AAR	TRA	TRS	Business Rules
Tag	Name	St Format	St Format	Usage / Remark							
DTM											
C507	Date/time/period	M	M								
2005	Date or time or period function code qualifier	M an..3	M an..3	178 = Transport means arrival date time, actual							
2380	Date or time or period text	C an..35	C an..35	Mandatory for Inbound Movements ACTUAL ARRIVAL DATE/TIME		C		C	C		
2379	Date or time or period format code	C an..3	C an..3	203 = CCYYMMDDHHMM							

Remark:

Example:
DTM+178:201709010600:203'

No = Consecutive segment number
 MaxOcc = Maximum occurrence of the segment/group
 Counter = Counter of segment/group within the standard
 St = Status
 EDIFACT: M=Mandatory, C=Conditional
 User specific: M=Mandatory, O=Optional, C=Conditional

Counter No	Tag	St	MaxOcc	Level	Name
0200	SG6	M	9	2	Call Details
0210 13	LOC	M	1	2	PLACE OF CALL

Standard		Implementation									Business Rules
Tag	Name	St Format	St Format	Usage / Remark	SCH	ARR	ASC	AAR	TRA	TRS	
LOC											
3227	Location function code qualifier	M an..3	M an..3	153 = Port of call PLACE IDENTIFIER							
C517	Location identification	C	C								
3225	Location identifier	C an..35	C an5	PLACE OF CALL	M		M			M	
1131	Code list identification code	C an..17	C an..17	139 = Port 145 = Airport 37 = Railway Locations							
3055	Code list responsible agency code	C an..3	C an..3	6 = UN/ECE (United Nations - Economic Commission for Europe) 3 = IATA (International Air Transport Association)							
3224	Location name	C an..256	N	Not used							
C519	Related location one identification	C	N								
3223	First related location identifier	C an..35	N	Not used							
1131	Code list identification code	C an..17	N	Not used							
3055	Code list responsible agency code	C an..3	N	Not used							
3222	First related location name	C an..70	N	Not used							
C553	Related location two identification	C	N								
3233	Second related location identifier	C an..35	N	Not used							
1131	Code list identification code	C an..17	N	Not used							
3055	Code list responsible agency code	C an..3	N	Not used							
3232	Second related location name	C an..70	N	Not used							
5479	Relation code	C an..3	N	Not used							

Remark:

Example:

LOC+153+ZARIC:139:6'

Counter No	Tag	St	MaxOcc	Level	Name
0200	SG6	M	9	2	Call Details
0220 14	DTM	C	9	3	ESTIMATED DATE/TIME OF ARRIVAL

		Standard	Implementation		SCH	ARR	ASC	AAR	TRA	TRS	Business Rules
Tag	Name	St Format	St Format	Usage / Remark							
DTM											
C507	Date/time/period	M	M								
2005	Date or time or period function code qualifier	M an..3	M an..3	132 = Transport means arrival date time, estimated							
2380	Date or time or period text	C an..35	C n12	ESTIMATED DATE/TIME OF ARRIVAL	M		M			M	
2379	Date or time or period format code	C an..3	C an..3	203 = CCYYMMDDHHMM							

Remark:
Example:
 DTM+132:201709010600:203'

Counter	No	Tag	St	MaxOcc	Level	Name
---------	----	-----	----	--------	-------	------

0280 15 **UNT** M 1 0 Message trailer

		Standard	Implementation								
Tag	Name	St Format	St Format	Usage / Remark	SCH	ARR	ASC	AAR	TRA	TRS	Business Rules
UNT											
0074	Number of segments in a message	M n..10	M n..10								
0062	Message reference number	M an..14	M an..14	Must be the same as the UNB							

Remark:
Example:
 UNT+6+12345678901234'

Counter	No	Tag	St	MaxOcc	Level	Name
---------	----	-----	----	--------	-------	------

0000 16 **UNZ** M 1 0 Interchange trailer

		Standard	Implementation								
Tag	Name	St Format	St Format	Usage / Remark	SCH	ARR	ASC	AAR	TRA	TRS	Business Rules
UNZ											
0036	Interchange control count	M n..6	M n..6								
0020	Interchange control reference	M an..14	M an..14	Must be the same as the UNB							

Remark:

Example:
UNZ+1+1234567890'

No = Consecutive segment number
 MaxOcc = Maximum occurrence of the segment/group
 Counter = Counter of segment/group within the standard
 St = Status
 EDIFACT: M=Mandatory, C=Conditional
 User specific: M=Mandatory, O=Optional, C=Conditional