



## Message Implementation Guideline

# GOVGIO

based on

## GOVCBR

Government Cross Border Regulatory message

## UN D.16A S4

Version: 1  
Variant: 4A  
Issue date: 2018/08/23  
Author: SARS EDI

### Change Log:

- 1.2.a - UNH change EDIFACT directory from D.16B to D.16A
- 1.2.b - TRANSPORT ID qualifier 103 added in example
- 1.2.c - SG177 SEQ segment added as mandatory in standard
- 1.2.d - SG178 SEQ segment added as mandatory in standard
- 1.2.e - ON/PRE-PLACE OF DELIVERY example changed
- 1.3.a - SG178 changed from M to C
- 1.3.b - Remove status on SEL level
- 1.4.a - PLACE/PORT OF DISCHARGE mandatory for DGI
- 1.4.b - PLACE/PORT OF LOADING no applicable for DGI
- 1.4.c - MRN optional for all document types

1 Message Structure.....	2
2 Branching Diagram .....	4
3 Segments .....	7

---

## Structure / Table of Contents

Counter	No	Tag	St	MaxOcc	Level	Content
0000	1	<b>UNB</b>	M	1	0	Interchange header
0010	2	<b>UNH</b>	M	1	0	Message header
0020	3	<b>BGM</b>	M	1	0	Beginning of message
0120		<b>SG1</b>	M	99	1	PLACE/PORT OF DISCHARGE
0130	4	<b>LOC</b>	M	1	1	PLACE/PORT OF DISCHARGE
0120		<b>SG1</b>	C	99	1	PLACE/PORT OF LOADING
0130	5	<b>LOC</b>	M	1	1	PLACE/PORT OF LOADING
0340		<b>SG7</b>	M	1	1	SUBMITTER
0350	6	<b>NAD</b>	M	1	1	SUBMITTER
0390	7	<b>IFD</b>	C	9	2	Information detail
0340		<b>SG7</b>	M	1	1	CARRIER
0350	8	<b>NAD</b>	M	1	1	CARRIER
0340		<b>SG7</b>	M	99	1	TERMINAL OPERATOR
0350	9	<b>NAD</b>	M	1	1	TERMINAL OPERATOR
0340		<b>SG7</b>	C	99	1	OUTTURN PROVIDER
0350	10	<b>NAD</b>	M	1	1	OUTTURN PROVIDER
0430		<b>SG9</b>	C	9999	1	DOCUMENT TO BE AMENDED
0440	11	<b>DOC</b>	M	1	1	Document/message details
0430		<b>SG9</b>	C	9999	1	PRINCIPAL CARRIER CONVEYANCE NUMBER
0440	12	<b>DOC</b>	M	1	1	Document/message details
1490		<b>SG34</b>	C	9	1	TDT-DTM-DTM-QTY-POC
1500	13	<b>TDT</b>	M	1	1	Transport information
1510	14	<b>DTM</b>	M	99	2	ESTIMATED DATE OF ARRIVAL
1510	15	<b>DTM</b>	C	99	2	ESTIMATED DATE OF DEPARTURE
1530	16	<b>QTY</b>	M	1	2	Quantity
1560	17	<b>POC</b>	C	99	2	Purpose of conveyance call
2550	18	<b>UNS</b>	M	1	0	Section control
7320	19	<b>HYN</b>	M	1	0	Hierarchy information
7330		<b>SG159</b>	C	9999	1	CONSIGNMENT DETAILS
7340	20	<b>CNI</b>	M	1	1	Consignment information
7350	21	<b>RFF</b>	O	99	2	EXTERNAL REFERENCE
7350	22	<b>RFF</b>	M	99	2	BOOKING NUMBER
7590		<b>SG163</b>	M	99	2	MASTER TRANSPORT DOCUMENT
7600	23	<b>DOC</b>	M	1	2	MASTER TRANSPORT DOCUMENT
7670		<b>SG164</b>	M	99	3	MASTER CARGO CARRIER CODE
7680	24	<b>NAD</b>	M	1	3	MASTER CARGO CARRIER CODE
7590		<b>SG163</b>	O	99	2	TRANSPORT DOCUMENT

Counter = Counter of segment/group within the standard  
 No = Consecutive segment number  
 MaxOcc = Maximum occurrence of the segment/group

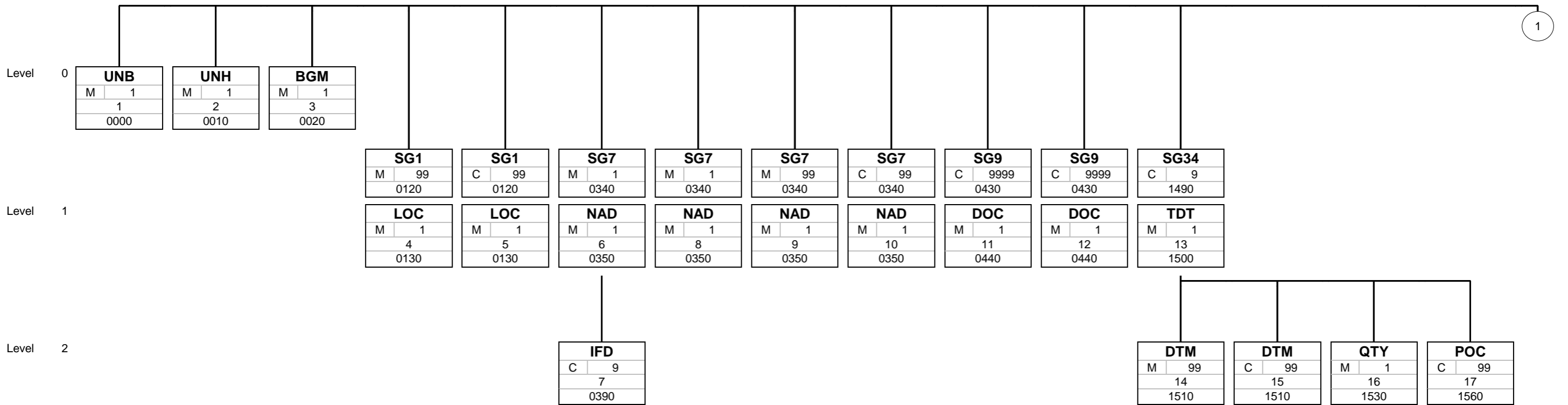
St = Status  
 EDIFACT: M=Mandatory, C=Conditional  
 User specific: R=Required, O=Optional, D=Dependent,  
 A=Advised, N=Not used

Counter	No	Tag	St	MaxOcc	Level	Content
7600	25	DOC	O	1	2	TRANSPORT DOCUMENT
7670		SG164	O	99	3	CARGO CARRIER CODE
7680	26	NAD	O	1	3	CARGO CARRIER CODE
8200		SG177	C	9999	2	EQD-SEQ-MEA-SG178-SG182
8210	27	EQD	M	1	2	Equipment details
8220	28	SEQ	M	1	3	Sequence details
8240	29	MEA	C	9	3	Measurements
8260		SG178	C	4	3	SEL-SEQ
8270	30	SEL	M	1	3	Seal number
8280	31	SEQ	M	1	4	Sequence details
8390		SG182	C	99	3	DOC-GEI-SG183
8400	32	DOC	M	1	3	Document/message details
8430	33	GEI	C	9	4	Processing information
8440		SG183	C	99	4	NAD
8450	34	NAD	M	1	4	Name and address
8530		SG186	M	99	2	CARGO TYPE INDICATOR
8540	35	TDT	M	1	2	Transport information
8550	36	DTM	M	99	3	GATE IN/OUT DATE/TIME
8630	37	GDS	M	99	3	Nature of cargo
12040		SG267	O	9999	2	LIN-SG271
12050	38	LIN	O	1	2	Line item
12190		SG271	C	99	3	MRN
12200	39	DOC	M	1	3	Document/message details
13530	40	UNS	M	1	0	Section control
13560	41	UNT	M	1	0	Message trailer
0000	42	UNZ	M	1	0	Interchange trailer

Counter = Counter of segment/group within the standard  
 No = Consecutive segment number  
 MaxOcc = Maximum occurrence of the segment/group

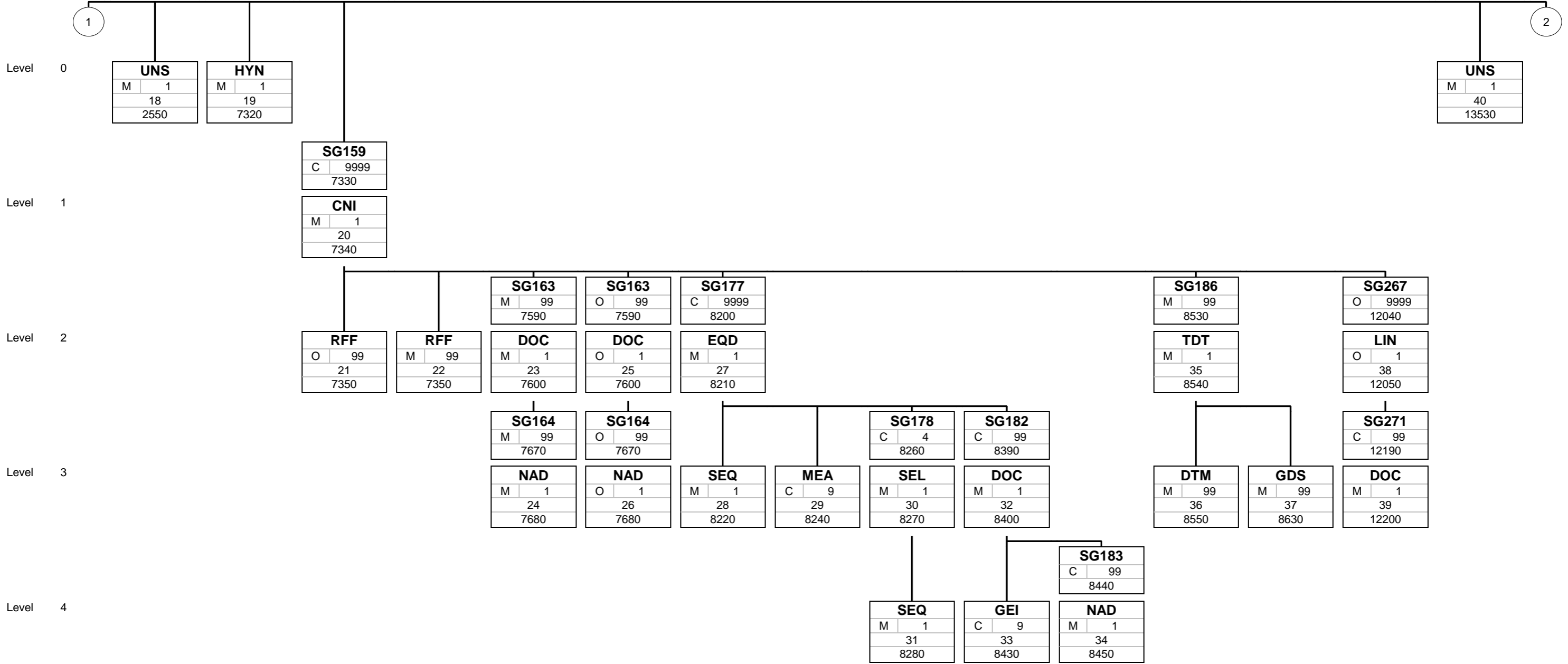
St = Status  
 EDIFACT: M=Mandatory, C=Conditional  
 User specific: R=Required, O=Optional, D=Dependent,  
 A=Advised, N=Not used

Branching Diagram of Used Segments/Groups



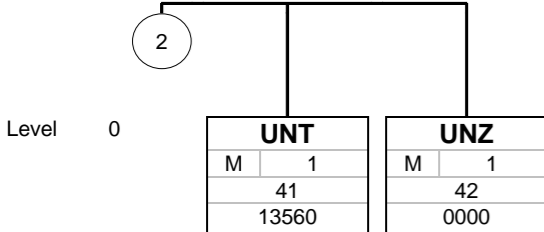
Tag
St MaxOcc
No
Counter

Tag = Segment/Group Tag  
 St = Status (M=Mandatory, C=Conditional, R=Required, O=Optional, A=Advised, D=Dependent)  
 MaxOcc = Maximum occurrence of the segment/group  
 No = Consecutive segment number  
 Counter = Counter of segment/group within the standard



Tag
St MaxOcc
No
Counter

Tag = Segment/Group Tag  
 St = Status (M=Mandatory, C=Conditional, R=Required, O=Optional, A=Advised, D=Dependent)  
 MaxOcc = Maximum occurrence of the segment/group  
 No = Consecutive segment number  
 Counter = Counter of segment/group within the standard



Tag
St MaxOcc
No
Counter

Tag = Segment/Group Tag  
 St = Status (M=Mandatory, C=Conditional, R=Required, O=Optional, A=Advised, D=Dependent)  
 MaxOcc = Maximum occurrence of the segment/group  
 No = Consecutive segment number  
 Counter = Counter of segment/group within the standard

Segments

Counter No	Tag	St	MaxOcc	Level	Name
------------	-----	----	--------	-------	------

0000 1 **UNB** M 1 0 Interchange header

		Standard	Implementation		TGO	TGI	DGI	DGO	DCI	ATI	ADI	BGI	STO	STI	SBI	Business Rules
Tag	Name	St Format	St Format	Usage / Remark												
UNB																
S001	Syntax identifier	M	M													
0001	Syntax identifier	M a4	M a4	<b>UNOB = UN/ECE level B</b>	M	M	M	M	M	M	M	M	M	M	M	
0002	Syntax version number	M an1	M an1	<b>4 = Version 4</b>	M	M	M	M	M	M	M	M	M	M	M	
0080	Service code list directory version number	C an..6	N	Not used												
0133	Character encoding, coded	C an..3	N	Not used												
0076	Syntax release number	C an2	N	Not used												
S002	Interchange sender	M	M													
0004	Interchange sender identification	M an..35	M an..35	SARS assigned EDI Profile Code including dual code (if applicable)	M	M	M	M	M	M	M	M	M	M	M	
0007	Identification code qualifier	C an..4	C an..4	Authentication code provided by SARS for EDI profile												
0008	Interchange sender internal identification	C an..35	M an..35		M	M	M	M	M	M	M	M	M	M	M	
0042	Interchange sender internal sub-identification	C an..35	M an..35	SARS assigned Service Provider Code (Char 1-3) Comms Protocol Code (Char 4-6) <b>AS2 = AS/2</b> <b>AS3 = AS/3</b> <b>400 = X.400</b>	M	M	M	M	M	M	M	M	M	M	M	
S003	Interchange recipient	M	M													
0010	Interchange recipient identification	M an..35	M an..35	<b>SARSCAR = Production System</b> <b>SARSCART = Test System</b>	M	M	M	M	M	M	M	M	M	M	M	
0007	Identification code qualifier	C an..4	N	Not used												
0014	Interchange recipient internal identification	C an..35	N	Not used												
0046	Interchange recipient internal sub-identification	C an..35	N	Not used												
S004	Date and time of preparation	M	M													
0017	Date	M n8	M n8													
0019	Time	M n4	M n4													
0020	Interchange control reference	M an..14	M an..14													
S005	Recipient reference/password details	C	N													
0022	Recipient reference/password	M an..14	N	Not used												
0025	Recipient reference/password qualifier	C an2	N	Not used												
0026	Application reference	C an..14	O an..14	<b>GOVGIO = GOVCBR - Gate In Out</b>	O	O	O	O	O	O	O	O	O	O	O	
0029	Processing priority code	C a1	N	Not used												
0031	Acknowledgement request	C n1	C n1	<b>1 = Acknowledgement requested</b>												
0032	Interchange agreement identifier	C an..35	C an..35	X.400 Mailbox Required for X.400	C	C	C	C	C	C	C	C	C	C	C	
0035	Test indicator	C n1	C n1	<b>1 = Interchange is a test</b> Omit if Production	C	C	C	C	C	C	C	C	C	C	C	

Remark:

Example:

UNB+UNOB:4+12345678ABC::ABCDEFGHIJKLMNOPS:SPCAS2+SARSCAR+20170731:1144+12345678901234++GOVGIO++1+X400MAILBOX'

No = Consecutive segment number  
MaxOcc = Maximum occurrence of the segment/group  
Counter = Counter of segment/group within the standard  
St = Status  
EDIFACT: M=Mandatory, C=Conditional  
User specific: M=Mandatory, O=Optional, C=Conditional

Counter No	Tag	St	MaxOcc	Level	Name	
0010	2	<b>UNH</b>	M	1	0	Message header

		Standard	Implementation													Business Rules
Tag	Name	St Format	St Format	Usage / Remark	TGO	TGI	DGI	DGO	DCI	ATI	ADI	BGI	STO	STI	SBI	
UNH																
0062	Message reference number	M an..14	M an..14		M	M	M	M	M	M	M	M	M	M	M	
S009	Message identifier	M	M													
0065	Message type	M an..6	M an..6	<b>GOVCBR</b> = Government cross border regulatory message												
0052	Message version number	M an..3	M an..3	<b>D</b> = Draft version/UN/EDIFACT Directory												
0054	Message release number	M an..3	M an..3	<b>16A</b> = Release 2016 - A	M	M	M	M	M	M	M	M	M	M	M	
0051	Controlling agency, coded	M an..3	M an..3	<b>UN</b> = UN/CEFACT	M	M	M	M	M	M	M	M	M	M	M	
0057	Association assigned code	C an..6	C an..6	<b>RCG001</b> = RCG Version 1												
0110	Code list directory version number	C an..6	N	Not used												
0113	Message type sub-function identification	C an..6	N	Not used												
0068	Common access reference	C an..35	C an..35	<b>GOVGIO</b> = Gate In / Gate Out												
S010	Status of the transfer	C	N													
0070	Sequence of transfers	M n..2	N	Not used												
0073	First and last transfer	C a1	N	Not used												
S016	Message subset identification	C	N													
0115	Message subset identification	M an..14	N	Not used												
0116	Message subset version number	C an..3	N	Not used												
0118	Message subset release number	C an..3	N	Not used												
0051	Controlling agency, coded	C an..3	N	Not used												
S017	Message implementation guideline identification	C	N													
0121	Message implementation guideline identification	M an..14	N	Not used												
0122	Message implementation guideline version number	C an..3	N	Not used												
0124	Message implementation guideline release number	C an..3	N	Not used												
0051	Controlling agency, coded	C an..3	N	Not used												
S018	Scenario identification	C	N													
0127	Scenario identification	M an..14	N	Not used												
0128	Scenario version number	C an..3	N	Not used												
0130	Scenario release number	C an..3	N	Not used												
0051	Controlling agency, coded	C an..3	N	Not used												

**Remark:**  
**Example:**  
 UNH+12345678901234+GOVCBR:D:16A:UN:RCG001+GOVGIO'



Counter No	Tag	St	MaxOcc	Level	Name	
0020	3	<b>BGM</b>	M	1	0	Beginning of message

		Standard	Implementation													Business Rules
Tag	Name	St Format	St Format	Usage / Remark	TGO	TGI	DGI	DGO	DCI	ATI	ADI	BGI	STO	STI	SBI	
BGM																
C002	Document/message name	C	C													
1001	Document name code	C an..3	M an..3	<b>655 = Gate pass</b>	M	M	M	M	M	M	M	M	M	M	M	
1131	Code list identification code	C an..17	N	Not used												
3055	Code list responsible agency code	C an..3	N	Not used												
1000	Document name	C an..35	M an..3	<b>DOCUMENT TYPE</b> TGO = Terminal Gate Out TGI = Terminal Gate In DGI = Depot Gate In DGO = Depot Gate Out DCI = Sea Depot Consignment Gate In ATI = Air Terminal Gate In ADI = Air Depot Gate In BGI = Break Bulk Gate In STO = Rail Terminal Container Gate Out STI = Rail Terminal Container Gate In SBI = Rail Break Bulk Gate In	M	M	M	M	M	M	M	M	M	M	M	To be submitted by the operator / licensee of the terminal or depot in respect of containers or goods entering or leaving the temporary storage facility within the period prescribed by customs legislation
C106	Document/message identification	C	C													
1004	Document identifier	C an..70	M an..35	<b>DOCUMENT NUMBER</b> A unique reference number assigned to the electronic document.	M	M	M	M	M	M	M	M	M	M	M	
1056	Version identifier	C an..9	N	Not used												
1060	Revision identifier	C an..6	N	Not used												
1225	Message function code	C an..3	M an..3	<b>MESSAGE FUNCTION</b> 4 = Change [If a document is amended, the reference number of the original message must be supplied within DOCUMENT TO BE AMENDED / CANCELLED] 1 = Cancellation [If a document is cancelled, the reference number of the original message must be supplied within DOCUMENT TO BE AMENDED / CANCELLED] 9 = Original 4 = Change 1 = Cancellation	M	M	M	M	M	M	M	M	M	M	M	
4343	Response type code	C an..3	N	Not used												
1373	Document status code	C an..3	N	Not used												
3453	Language name code	C an..3	N	Not used												

Remark:

Example:

BGM+655:::TGO+1234567890+9'

No = Consecutive segment number  
 MaxOcc = Maximum occurrence of the segment/group  
 Counter = Counter of segment/group within the standard

St = Status  
 EDIFACT: M=Mandatory, C=Conditional  
 User specific: M=Mandatory, O=Optional, C=Conditional

Counter No	Tag	St	MaxOcc	Level	Name
0120	SG1	M	99	1	PLACE/PORT OF DISCHARGE
0130	4 LOC	M	1	1	PLACE/PORT OF DISCHARGE

		Standard	Implementation													
Tag	Name	St Format	St Format	Usage / Remark	TGO	TGI	DGI	DGO	DCI	ATI	ADI	BGI	STO	STI	SBI	Business Rules
LOC					M		M						M			
3227	Location function code qualifier	M an..3	M an..3	11 = Place of discharge	M		M						M			
C517	Location identification	C	M													
3225	Location identifier	C an..35	M an..5	PLACE/PORT OF DISCHARGE	M		M						M			
1131	Code list identification code	C an..17	N	Not used												
3055	Code list responsible agency code	C an..3	N	Not used												
3224	Location name	C an..256	N	Not used												
C519	Related location one identification	C	N													
3223	First related location identifier	C an..35	N	Not used												
1131	Code list identification code	C an..17	N	Not used												
3055	Code list responsible agency code	C an..3	N	Not used												
3222	First related location name	C an..70	N	Not used												
C553	Related location two identification	C	N													
3233	Second related location identifier	C an..35	N	Not used												
1131	Code list identification code	C an..17	N	Not used												
3055	Code list responsible agency code	C an..3	N	Not used												
3232	Second related location name	C an..70	N	Not used												
5479	Relation code	C an..3	N	Not used												

Remark:

Example:

LOC+11+ZADUR'

No = Consecutive segment number  
 MaxOcc = Maximum occurrence of the segment/group  
 Counter = Counter of segment/group within the standard

St = Status  
 EDIFACT: M=Mandatory, C=Conditional  
 User specific: M=Mandatory, O=Optional, C=Conditional

Counter No	Tag	St	MaxOcc	Level	Name
0120	<b>SG1</b>	C	99	1	PLACE/PORT OF LOADING
0130	<b>LOC</b>	M	1	1	PLACE/PORT OF LOADING

		Standard	Implementation													
Tag	Name	St Format	St Format	Usage / Remark	TGO	TGI	DGI	DGO	DCI	ATI	ADI	BGI	STO	STI	SBI	Business Rules
LOC						M		M	M	M	M	M		M	M	
3227	Location function code qualifier	M an..3	M an..3	<b>34 = Baseport of loading</b>		M		M	M	M	M	M		M	M	
C517	Location identification	C	C													
3225	Location identifier	C an..35	C an..5	PLACE/PORT OF LOADING		M		M	M	M	M	M		M	M	
1131	Code list identification code	C an..17	N	Not used												
3055	Code list responsible agency code	C an..3	N	Not used												
3224	Location name	C an..256	N	Not used												
C519	Related location one identification	C	N													
3223	First related location identifier	C an..35	N	Not used												
1131	Code list identification code	C an..17	N	Not used												
3055	Code list responsible agency code	C an..3	N	Not used												
3222	First related location name	C an..70	N	Not used												
C553	Related location two identification	C	N													
3233	Second related location identifier	C an..35	N	Not used												
1131	Code list identification code	C an..17	N	Not used												
3055	Code list responsible agency code	C an..3	N	Not used												
3232	Second related location name	C an..70	N	Not used												
5479	Relation code	C an..3	N	Not used												

Remark:

Example:

LOC+34+GBAVO'

Counter No	Tag	St	MaxOcc	Level	Name
0340	SG7	M	1	1	SUBMITTER
0350	6 NAD	M	1	1	SUBMITTER

		Standard	Implementation													
Tag	Name	St Format	St Format	Usage / Remark	TGO	TGI	DGI	DGO	DCI	ATI	ADI	BGI	STO	STI	SBI	Business Rules
NAD					M	M	M	M	M	M	M	M	M	M	M	
3035	Party function code qualifier	M an..3	M an..3	TB = Submitter	M	M	M	M	M	M	M	M	M	M	M	
C082	Party identification details	C	M													
3039	Party identifier	M an..35	M an..35	MESSAGE SENDER The ID of the sender of the EDI message as in UNB	M	M	M	M	M	M	M	M	M	M	M	
1131	Code list identification code	C an..17	N	Not used												
3055	Code list responsible agency code	C an..3	N	Not used												
C058	Name and address	C	N													
3124	Name and address description	M an..35	N	Not used												
3124	Name and address description	C an..35	N	Not used												
3124	Name and address description	C an..35	N	Not used												
3124	Name and address description	C an..35	N	Not used												
3124	Name and address description	C an..35	N	Not used												
C080	Party name	C	N													
3036	Party name	M an..70	N	Not used												
3036	Party name	C an..70	N	Not used												
3036	Party name	C an..70	N	Not used												
3036	Party name	C an..70	N	Not used												
3036	Party name	C an..70	N	Not used												
3045	Party name format code	C an..3	N	Not used												
C059	Street	C	N													
3042	Street and number or post office box identifier	M an..35	N	Not used												
3042	Street and number or post office box identifier	C an..35	N	Not used												
3042	Street and number or post office box identifier	C an..35	N	Not used												
3042	Street and number or post office box identifier	C an..35	N	Not used												
3164	City name	C an..35	N	Not used												
C819	Country subdivision details	C	N													
3229	Country subdivision identifier	C an..9	N	Not used												
1131	Code list identification code	C an..17	N	Not used												
3055	Code list responsible agency code	C an..3	N	Not used												
3228	Country subdivision name	C an..70	N	Not used												
3251	Postal identification code	C an..17	N	Not used												
3207	Country identifier	C an..3	N	Not used												

Remark:

Example:

NAD+TB+12345678ABC'

No = Consecutive segment number

MaxOcc = Maximum occurrence of the segment/group

Counter = Counter of segment/group within the standard

St = Status

EDIFACT: M=Mandatory, C=Conditional

User specific: M=Mandatory, O=Optional, C=Conditional

Counter No	Tag	St	MaxOcc	Level	Name
0340	SG7	M	1	1	SUBMITTER
0390	7 IFD	C	9	2	Information detail

Standard		Implementation														
Tag	Name	St Format	St Format	Usage / Remark	TGO	TGI	DGI	DGO	DCI	ATI	ADI	BGI	STO	STI	SBI	Business Rules
IFD																
4153	Information details code qualifier	C an..3	C an..3													
C009	Information category	C	N													
4149	Information category description code	C an..3	N	Not used												
1131	Code list identification code	C an..17	N	Not used												
3055	Code list responsible agency code	C an..3	N	Not used												
4148	Information category description	C an..70	N	Not used												
C010	Information type	C	C													
4473	Information type code	C an..4	C an..4	<b>MANIFEST TYPE</b> 22 = Export 23 = Import 24 = Transshipment 28 = Transit				M	M	M	M				M	
1131	Code list identification code	C an..17	N	Not used												
3055	Code list responsible agency code	C an..3	N	Not used												
4472	Information type	C an..35	N	Not used												
C011	Information detail	C	N													
4151	Information detail description code	C an..17	N	Not used												
1131	Code list identification code	C an..17	N	Not used												
3055	Code list responsible agency code	C an..3	N	Not used												
4150	Information detail description	C an..256	N	Not used												
4405	Status description code	C an..3	N	Not used												

Remark:

Example:  
IFD+1++23'

Counter No	Tag	St	MaxOcc	Level	Name
0340	<b>SG7</b>	M	1	1	CARRIER
0350	8 <b>NAD</b>	M	1	1	CARRIER

		Standard	Implementation													Business Rules
Tag	Name	St Format	St Format	Usage / Remark	TGO	TGI	DGI	DGO	DCI	ATI	ADI	BGI	STO	STI	SBI	
NAD					M	M	M	M	M	M	M	M	M	M	M	
3035	Party function code qualifier	M an..3	M an..3	CA = Carrier	M	M	M	M	M	M	M	M	M	M	M	
C082	Party identification details	C	M													
3039	Party identifier	M an..35	M an..17	CARRIER CODE Code list: <a href="https://tools.sars.gov.za/ACM_code_Tables/Carrier*.csv">https://tools.sars.gov.za/ACM_code_Tables/Carrier*.csv</a>	M	M	M	M	M	M	M	M	M	M	M	The BIC, SCAC, IATA or SARS-assigned code of a shipping line, airline, rail carrier or road carrier carrying on business by transporting goods for reward or transporting goods in the course of conducting its business.  For rail use "TFR"
1131	Code list identification code	C an..17	N	Not used												
3055	Code list responsible agency code	C an..3	N	Not used												
C058	Name and address	C	N													
3124	Name and address description	M an..35	N	Not used												
3124	Name and address description	C an..35	N	Not used												
3124	Name and address description	C an..35	N	Not used												
3124	Name and address description	C an..35	N	Not used												
3124	Name and address description	C an..35	N	Not used												
C080	Party name	C	N													
3036	Party name	M an..70	N	Not used												
3036	Party name	C an..70	N	Not used												
3036	Party name	C an..70	N	Not used												
3036	Party name	C an..70	N	Not used												
3036	Party name	C an..70	N	Not used												
3045	Party name format code	C an..3	N	Not used												
C059	Street	C	N													
3042	Street and number or post office box identifier	M an..35	N	Not used												
3042	Street and number or post office box identifier	C an..35	N	Not used												
3042	Street and number or post office box identifier	C an..35	N	Not used												
3042	Street and number or post office box identifier	C an..35	N	Not used												
3164	City name	C an..35	N	Not used												
C819	Country subdivision details	C	N													
3229	Country subdivision identifier	C an..9	N	Not used												
1131	Code list identification code	C an..17	N	Not used												
3055	Code list responsible agency code	C an..3	N	Not used												
3228	Country subdivision name	C an..70	N	Not used												
3251	Postal identification code	C an..17	N	Not used												
3207	Country identifier	C an..3	N	Not used												

Remark:

Example:

NAD+CA+WXYZ '

No = Consecutive segment number  
 MaxOcc = Maximum occurrence of the segment/group  
 Counter = Counter of segment/group within the standard  
 St = Status  
 EDIFACT: M=Mandatory, C=Conditional  
 User specific: M=Mandatory, O=Optional, C=Conditional

Counter No	Tag	St	MaxOcc	Level	Name
0340	<b>SG7</b>	M	99	1	TERMINAL OPERATOR
0350	<b>NAD</b>	M	1	1	TERMINAL OPERATOR

		Standard	Implementation													
Tag	Name	St Format	St Format	Usage / Remark	TGO	TGI	DGI	DGO	DCI	ATI	ADI	BGI	STO	STI	SBI	Business Rules
NAD					M	M				M		M				
3035	Party function code qualifier	M an..3	M an..3	TR = Terminal operator	M	M				M		M				
C082	Party identification details	C	M													
3039	Party identifier	M an..35	M an..25	TERMINAL/BERTH OF DISCHARGE/LOAD SARS CODE LIST 3 - Facilities Code	M	M				M		M				
1131	Code list identification code	C an..17	N	Not used												
3055	Code list responsible agency code	C an..3	N	Not used												
C058	Name and address	C	N													
3124	Name and address description	M an..35	N	Not used												
3124	Name and address description	C an..35	N	Not used												
3124	Name and address description	C an..35	N	Not used												
3124	Name and address description	C an..35	N	Not used												
3124	Name and address description	C an..35	N	Not used												
C080	Party name	C	N													
3036	Party name	M an..70	N	Not used												
3036	Party name	C an..70	N	Not used												
3036	Party name	C an..70	N	Not used												
3036	Party name	C an..70	N	Not used												
3036	Party name	C an..70	N	Not used												
3045	Party name format code	C an..3	N	Not used												
C059	Street	C	N													
3042	Street and number or post office box identifier	M an..35	N	Not used												
3042	Street and number or post office box identifier	C an..35	N	Not used												
3042	Street and number or post office box identifier	C an..35	N	Not used												
3042	Street and number or post office box identifier	C an..35	N	Not used												
3164	City name	C an..35	N	Not used												
C819	Country subdivision details	C	N													
3229	Country subdivision identifier	C an..9	N	Not used												
1131	Code list identification code	C an..17	N	Not used												
3055	Code list responsible agency code	C an..3	N	Not used												
3228	Country subdivision name	C an..70	N	Not used												
3251	Postal identification code	C an..17	N	Not used												
3207	Country identifier	C an..3	N	Not used												

Remark:

Example:

NAD+TR+08'

No = Consecutive segment number

MaxOcc = Maximum occurrence of the segment/group

Counter = Counter of segment/group within the standard

St = Status

EDIFACT: M=Mandatory, C=Conditional

User specific: M=Mandatory, O=Optional, C=Conditional

Counter No	Tag	St	MaxOcc	Level	Name
0340	SG7	C	99	1	OUTTURN PROVIDER
0350	10 NAD	M	1	1	OUTTURN PROVIDER

		Standard	Implementation													Business Rules
Tag	Name	St Format	St Format	Usage / Remark	TGO	TGI	DGI	DGO	DCI	ATI	ADI	BGI	STO	STI	SBI	
NAD					M	M	M	M	M	M	M	M	M	M	M	
3035	Party function code qualifier	M an..3	M an..3	DC = Deconsolidator	M	M	M	M	M	M	M	M	M	M	M	
C082	Party identification details	C	M													
3039	Party identifier	M an..35	M an..35	OUTTURN PROVIDER CODE SARS CODE LIST 3 - Facilities Code	M	M	M	M	M	M	M	M	M	M	M	
1131	Code list identification code	C an..17	N	Not used												
3055	Code list responsible agency code	C an..3	N	Not used												
C058	Name and address	C	N													
3124	Name and address description	M an..35	N	Not used												
3124	Name and address description	C an..35	N	Not used												
3124	Name and address description	C an..35	N	Not used												
3124	Name and address description	C an..35	N	Not used												
3124	Name and address description	C an..35	N	Not used												
C080	Party name	C	N													
3036	Party name	M an..70	N	Not used												
3036	Party name	C an..70	N	Not used												
3036	Party name	C an..70	N	Not used												
3036	Party name	C an..70	N	Not used												
3036	Party name	C an..70	N	Not used												
3045	Party name format code	C an..3	N	Not used												
C059	Street	C	N													
3042	Street and number or post office box identifier	M an..35	N	Not used												
3042	Street and number or post office box identifier	C an..35	N	Not used												
3042	Street and number or post office box identifier	C an..35	N	Not used												
3042	Street and number or post office box identifier	C an..35	N	Not used												
3164	City name	C an..35	N	Not used												
C819	Country subdivision details	C	N													
3229	Country subdivision identifier	C an..9	N	Not used												
1131	Code list identification code	C an..17	N	Not used												
3055	Code list responsible agency code	C an..3	N	Not used												
3228	Country subdivision name	C an..70	N	Not used												
3251	Postal identification code	C an..17	N	Not used												
3207	Country identifier	C an..3	N	Not used												

Remark:

Example:

NAD+DC+06'



Counter No	Tag	St	MaxOcc	Level	Name
0430	SG9	C	9999	1	DOCUMENT TO BE AMENDED
0440 11	DOC	M	1	1	Document/message details

		Standard	Implementation													
Tag	Name	St Format	St Format	Usage / Remark	TGO	TGI	DGI	DGO	DCI	ATI	ADI	BGI	STO	STI	SBI	Business Rules
DOC																
C002	Document/message name	M	M													
1001	Document name code	C an..3	C an..3	998 = Previous Customs document/message												
1131	Code list identification code	C an..17	N	Not used												
3055	Code list responsible agency code	C an..3	N	Not used												
1000	Document name	C an..35	N	Not used												
C503	Document/message details	C	C													
1004	Document identifier	C an..70	C an..35	DOCUMENT TO BE AMENDED Mandatory should this message be an amendment to a previous message. 1234567890A	C	C	C	C	C	C	C	C	C	C	C	
1373	Document status code	C an..3	N	Not used												
1366	Document source description	C an..70	N	Not used												
3453	Language name code	C an..3	N	Not used												
1056	Version identifier	C an..9	N	Not used												
1060	Revision identifier	C an..6	N	Not used												
3153	Communication medium type code	C an..3	N	Not used												
1220	Document copies required quantity	C n..2	N	Not used												
1218	Document originals required quantity	C n..2	N	Not used												

Remark:

Example:

DOC+998+123456780'

No = Consecutive segment number  
 MaxOcc = Maximum occurrence of the segment/group  
 Counter = Counter of segment/group within the standard  
 St = Status  
 EDIFACT: M=Mandatory, C=Conditional  
 User specific: M=Mandatory, O=Optional, C=Conditional

Counter No	Tag	St	MaxOcc	Level	Name
0430	<b>SG9</b>	C	9999	1	PRINCIPAL CARRIER CONVEYANCE NUMBER
0440 12	<b>DOC</b>	M	1	1	Document/message details

		Standard	Implementation													Business Rules
Tag	Name	St Format	St Format	Usage / Remark	TGO	TGI	DGI	DGO	DCI	ATI	ADI	BGI	STO	STI	SBI	
DOC																
C002	Document/message name	M	M													
1001	Document name code	C an..3	C an..3	706 = Bill of lading original												
1131	Code list identification code	C an..17	N	Not used												
3055	Code list responsible agency code	C an..3	N	Not used												
1000	Document name	C an..35	N	Not used												
C503	Document/message details	C	C													
1004	Document identifier	C an..70	M an..17	PRINCIPAL CARRIER CONVEYANCE NUMBER	M	M	M	M	M	M	M	M	M	M	M	The voyage or flight number assigned by the Carrier who owns, operates or leases the means of transport on which the goods are transported.
1373	Document status code	C an..3	N	Not used												
1366	Document source description	C an..70	N	Not used												
3453	Language name code	C an..3	N	Not used												
1056	Version identifier	C an..9	N	Not used												
1060	Revision identifier	C an..6	N	Not used												
3153	Communication medium type code	C an..3	N	Not used												
1220	Document copies required quantity	C n..2	N	Not used												
1218	Document originals required quantity	C n..2	N	Not used												

Remark:

Example:

DOC+706+ABC1234567788999'

No = Consecutive segment number  
 MaxOcc = Maximum occurrence of the segment/group  
 Counter = Counter of segment/group within the standard  
 St = Status  
 EDIFACT: M=Mandatory, C=Conditional  
 User specific: M=Mandatory, O=Optional, C=Conditional

Counter No	Tag	St	MaxOcc	Level	Name
1490	SG34	C	9	1	TDT-DTM-QTY-POC
1500 13	TDT	M	1	1	Transport information

		Standard	Implementation													
Tag	Name	St Format	St Format	Usage / Remark	TGO	TGI	DGI	DGO	DCI	ATI	ADI	BGI	STO	STI	SBI	Business Rules
TDT																
8051	Transport stage code qualifier	M an..3	M an..3	<b>20 = Main-carriage transport</b>												
8028	Means of transport journey identifier	C an..17	M an..17	<b>CONVEYANCE NUMBER</b> Voyage number, flight number, trip number etc. as assigned by the principal carrier e.g. shipping line, airline etc.	M	M	M	M	M	M	M	M	M	M	M	
C220	Mode of transport	C	C													
8067	Transport mode name code	C an..3	M an..3	<b>TRANSPORT CODE</b> SARS Code List 9 [Applicable numeric main carriage transport code (UN Recommendation 19). Also refer to the SARS Code List 9.] <b>0 = Transport mode not specified</b> <b>1 = Maritime transport</b> <b>2 = Rail transport</b> <b>3 = Road transport</b> <b>4 = Air transport</b> <b>5 = Mail</b>	M	M	M	M	M	M	M	M	M	M	M	
8066	Transport mode name	C an..17	N	Not used												
C001	Transport means	C	N													
8179	Transport means description code	C an..8	N	Not used												
1131	Code list identification code	C an..17	N	Not used												
3055	Code list responsible agency code	C an..3	N	Not used												
8178	Transport means description	C an..17	N	Not used												
C040	Carrier	C	C													
3127	Carrier identifier	C an..17	N	Not used												
1131	Code list identification code	C an..17	N	Not used												
3055	Code list responsible agency code	C an..3	N	Not used												
3126	Carrier name	C an..35	O an..35	<b>TRANSPORT NAME</b>	O	O	O	O	O							
8101	Transit direction indicator code	C an..3	N	Not used												
C401	Excess transportation information	C	N													
8457	Excess transportation reason code	M an..3	N	Not used												
8459	Excess transportation responsibility code	M an..3	N	Not used												
7130	Customer shipment authorisation identifier	C an..17	N	Not used												
C222	Transport identification	C	C													
8213	Transport means identification name identifier	C an..35	M an..9	<b>TRANSPORT ID</b> <a href="https://tools.sars.gov.za/ACM_code_Tables/Transport*.csv">https://tools.sars.gov.za/ACM_code_Tables/ Transport*.csv</a>	M	M	M	M	M							
1131	Code list identification code	C an..17	C an..17	<b>103 = Call sign directory</b>												
3055	Code list responsible agency code	C an..3	N	Not used												
8212	Transport means identification name	C an..70	N	Not used												
8453	Transport means nationality code	C an..3	N	Not used												
8281	Transport means ownership indicator code	C an..3	N	Not used												
C003	Power type	C	N													
7041	Power type code	C an..3	N	Not used												
1131	Code list identification code	C an..17	N	Not used												
3055	Code list responsible agency code	C an..3	N	Not used												

No = Consecutive segment number  
 MaxOcc = Maximum occurrence of the segment/group  
 Counter = Counter of segment/group within the standard

St = Status  
 EDIFACT: M=Mandatory, C=Conditional  
 User specific: M=Mandatory, O=Optional, C=Conditional

Standard		Implementation														
Tag	Name	St Format	St Format	Usage / Remark	TGO	TGI	DGI	DGO	DCI	ATI	ADI	BGI	STO	STI	SBI	Business Rules
7040	Power type description	C an..17	N	Not used												

**Remark:**

**Example:**  
TDT+20+ABC54321+1++:::WXYZ23+++X0X01:103'

No = Consecutive segment number  
 MaxOcc = Maximum occurrence of the segment/group  
 Counter = Counter of segment/group within the standard  
 St = Status  
 EDIFACT: M=Mandatory, C=Conditional  
 User specific: M=Mandatory, O=Optional, C=Conditional

Counter No	Tag	St	MaxOcc	Level	Name
1490	<b>SG34</b>	C	9	1	TDT-DTM-QTY-POC
1510 14	<b>DTM</b>	M	99	2	ESTIMATED DATE OF ARRIVAL

		Standard	Implementation													
Tag	Name	St Format	St Format	Usage / Remark	TGO	TGI	DGI	DGO	DCI	ATI	ADI	BGI	STO	STI	SBI	Business Rules
DTM					M			M					M			For inbound use actual date
C507	Date/time/period	M	M													
2005	Date or time or period function code qualifier	M an..3	M an..3	132 = Transport means arrival date time, estimated	M			M					M			
2380	Date or time or period text	C an..35	M n..8	ESTIMATED DATE OF ARRIVAL	M			M					M			
2379	Date or time or period format code	C an..3	M an..3	102 = CCYYMMDD	M			M					M			

**Remark:**  
**Example:**  
 DTM+132:20170801:102'

Counter No	Tag	St	MaxOcc	Level	Name
1490	SG34	C	9	1	TDT-DTM-QTY-POC
1510 15	DTM	C	99	2	ESTIMATED DATE OF DEPARTURE

		Standard	Implementation													
Tag	Name	St Format	St Format	Usage / Remark	TGO	TGI	DGI	DGO	DCI	ATI	ADI	BGI	STO	STI	SBI	Business Rules
DTM																
C507	Date/time/period	M	M													
2005	Date or time or period function code qualifier	M an..3	M an..3	133 = Transport means departure date/time, estimated												
2380	Date or time or period text	C an..35	C n..12	ESTIMATED DATE OF DEPARTURE <i>If outbound then Mandatory</i>		M	C		M	M	M			M	M	
2379	Date or time or period format code	C an..3	C an..3	102 = CCYYMMDD												

Remark:  
 Example:  
 DTM+133:20170801:102'

Counter No	Tag	St	MaxOcc	Level	Name
1490	SG34	C	9	1	TDT-DTM-QTY-POC
1530 16	QTY	M	1	2	Quantity

		Standard	Implementation													
Tag	Name	St Format	St Format	Usage / Remark	TGO	TGI	DGI	DGO	DCI	ATI	ADI	BGI	STO	STI	SBI	Business Rules
QTY					M	M	M	M	M	M	M	M	M	M	M	
C186	Quantity details	M	M													
6063	Quantity type code qualifier	M an..3	M an..3	264 = Equipment quantity	M	M	M	M	M	M	M	M	M	M	M	
6060	Quantity	M an..35	M n..18	TOTAL NUMBER OF PACKAGES/CONTAINERS FOUND	M	M	M	M	M	M	M	M	M	M	M	
6411	Measurement unit code	C an..8	N	Not used												

Remark:

Example:  
QTY+264:22'

Counter No	Tag	St	MaxOcc	Level	Name
1490	SG34	C	9	1	TDT-DTM-QTY-POC
1560 17	POC	C	99	2	Purpose of conveyance call

		Standard	Implementation													
Tag	Name	St Format	St Format	Usage / Remark	TGO	TGI	DGI	DGO	DCI	ATI	ADI	BGI	STO	STI	SBI	Business Rules
POC																
C525	Purpose of conveyance call	M	M													
8025	Conveyance call purpose description code	C an..3	M an..3	CALL PURPOSE 16 = Unloading cargo 17 = Loading cargo	M	M	M	M	M	M	M	M	M	M	M	For directionality
1131	Code list identification code	C an..17	N	Not used												
3055	Code list responsible agency code	C an..3	N	Not used												
8024	Conveyance call purpose description	C an..35	N	Not used												

Remark:

Example:

POC+16'



Counter	No	Tag	St	MaxOcc	Level	Name
2550	18	<b>UNS</b>	M	1	0	Section control

		Standard	Implementation													
Tag	Name	St Format	St Format	Usage / Remark	TGO	TGI	DGI	DGO	DCI	ATI	ADI	BGI	STO	STI	SBI	Business Rules
UNS																
0081	Section identification	M a1	M a1	<b>D</b> = Header/detail section separation												

Remark:

Example:

UNS+D'

Counter No	Tag	St	MaxOcc	Level	Name
------------	-----	----	--------	-------	------

7320 19 **HYN** M 1 0 Hierarchy information

		Standard	Implementation													
Tag	Name	St Format	St Format	Usage / Remark	TGO	TGI	DGI	DGO	DCI	ATI	ADI	BGI	STO	STI	SBI	Business Rules
HYN																
7173	Hierarchy object code qualifier	M an..3	M an..3	3 = No hierarchy												
7171	Hierarchical structure relationship code	C an..3	N	Not used												
1229	Action code	C an..3	N	Not used												
C212	Item number identification	C	N	Not used												
7140	Item identifier	C an..35	N	Not used												
7143	Item type identification code	C an..3	N	Not used												
1131	Code list identification code	C an..17	N	Not used												
3055	Code list responsible agency code	C an..3	N	Not used												
7166	Hierarchical structure parent identifier	C an..35	N	Not used												

Remark:

Example:  
HYN+3'

No = Consecutive segment number  
 MaxOcc = Maximum occurrence of the segment/group  
 Counter = Counter of segment/group within the standard  
 St = Status  
 EDIFACT: M=Mandatory, C=Conditional  
 User specific: M=Mandatory, O=Optional, C=Conditional

Counter No	Tag	St	MaxOcc	Level	Name
7330	<b>SG159</b>	C	9999	1	CONSIGNMENT DETAILS
7340 20	<b>CNI</b>	M	1	1	Consignment information

		Standard	Implementation													
Tag	Name	St Format	St Format	Usage / Remark	TGO	TGI	DGI	DGO	DCI	ATI	ADI	BGI	STO	STI	SBI	Business Rules
CNI																
1490	Consolidation item number	C n..5	C n..5	Sequence number 1..n												
C503	Document/message details	C	N													
1004	Document identifier	C an..70	N	Not used												
1373	Document status code	C an..3	N	Not used												
1366	Document source description	C an..70	N	Not used												
3453	Language name code	C an..3	N	Not used												
1056	Version identifier	C an..9	N	Not used												
1060	Revision identifier	C an..6	N	Not used												
1312	Consignment load sequence identifier	C n..4	N	Not used												

Remark:

Example:

CNI+9'

Counter No	Tag	St	MaxOcc	Level	Name
7330	<b>SG159</b>	C	9999	1	CONSIGNMENT DETAILS
7350 21	<b>RFF</b>	O	99	2	EXTERNAL REFERENCE

		Standard	Implementation													
Tag	Name	St Format	St Format	Usage / Remark	TGO	TGI	DGI	DGO	DCI	ATI	ADI	BGI	STO	STI	SBI	Business Rules
RFF					O	O	O	O	O	O	O	O	O	O	O	
C506	Reference	M	O													
1153	Reference code qualifier	M an..3	O an..3	<b>ACD = Additional reference number</b>	O	O	O	O	O	O	O	O	O	O	O	
1154	Reference identifier	C an..70	O an..35	<b>EXTERNAL REFERENCE</b>	O	O	O	O	O	O	O	O	O	O	O	
1156	Document line identifier	C an..6	N	Not used												
1056	Version identifier	C an..9	N	Not used												
1060	Revision identifier	C an..6	N	Not used												

Remark:

Example:

RFF+ACD: ZZZ1234567890XXX'

Counter No	Tag	St	MaxOcc	Level	Name
7330	<b>SG159</b>	C	9999	1	CONSIGNMENT DETAILS
7350 22	<b>RFF</b>	M	99	2	BOOKING NUMBER

		Standard	Implementation													
Tag	Name	St Format	St Format	Usage / Remark	TGO	TGI	DGI	DGO	DCI	ATI	ADI	BGI	STO	STI	SBI	Business Rules
RFF					M	M										
C506	Reference	M	M													
1153	Reference code qualifier	M an..3	M an..3	SRN = Shipment reference number	M	M										
1154	Reference identifier	C an..70	M an..35	BOOKING NUMBER	M	M										
1156	Document line identifier	C an..6	N	Not used												
1056	Version identifier	C an..9	N	Not used												
1060	Revision identifier	C an..6	N	Not used												

Remark:

Example:  
RFF+SRN: BK123456'

Counter No	Tag	St	MaxOcc	Level	Name
7590	<b>SG163</b>	M	99	2	MASTER TRANSPORT DOCUMENT
7600 23	<b>DOC</b>	M	1	2	MASTER TRANSPORT DOCUMENT

		Standard	Implementation													Business Rules
Tag	Name	St Format	St Format	Usage / Remark	TGO	TGI	DGI	DGO	DCI	ATI	ADI	BGI	STO	STI	SBI	
DOC					M	M	M	M	M	O	O	O	O	O	O	
C002	Document/message name	M	M													
1001	Document name code	C an..3	M an..3	704 = Master bill of lading	M	M	M	M	M	O	O	O	O	O	O	
1131	Code list identification code	C an..17	N	Not used												
3055	Code list responsible agency code	C an..3	N	Not used												
1000	Document name	C an..35	N	Not used												
C503	Document/message details	C	O													
1004	Document identifier	C an..70	O an..35	MASTER TRANSPORT DOCUMENT NUMBER	O	O	O	O	M	O	O	M	O	O	O	Master / Ocean Bill of Lading, Air Waybill, Rail Consignment Note, Road Freight Manifest
1373	Document status code	C an..3	N	Not used												
1366	Document source description	C an..70	N	Not used												
3453	Language name code	C an..3	N	Not used												
1056	Version identifier	C an..9	N	Not used												
1060	Revision identifier	C an..6	N	Not used												
3153	Communication medium type code	C an..3	N	Not used												
1220	Document copies required quantity	C n..2	N	Not used												
1218	Document originals required quantity	C n..2	N	Not used												

Remark:

Example:

DOC+704+3434343434ASDHYT'

Counter No	Tag	St	MaxOcc	Level	Name
7670	<b>SG164</b>	M	99	3	MASTER CARGO CARRIER CODE
7680 24	<b>NAD</b>	M	1	3	MASTER CARGO CARRIER CODE

		Standard	Implementation		TGO	TGI	DGI	DGO	DCI	ATI	ADI	BGI	STO	STI	SBI	Business Rules
Tag	Name	St Format	St Format	Usage / Remark												
NAD					M	M	M	M	M	O	O	O	O	O	O	
3035	Party function code qualifier	M an..3	M an..3	<b>MS = Document/message issuer/sender</b>	M	M	M	M	M	O	O	O	O	O	O	
C082	Party identification details	C	M													
3039	Party identifier	M an..35	M an..35	<b>MASTER CARGO CARRIER CODE</b>	M	M	M	M	M	O	O	O	O	O	O	The BIC, SCAC or SARS-assigned code of the Carrier that issued the Master / Ocean Bill of Lading  The IATA or SARS-assigned code of the Carrier that issued the Master Air Waybill.  The SARS-assigned code of the Carrier that reports the Road Freight Manifest  The SARS-assigned code "TFR" for Transnet Freight Rail as Rail Carrier  For courier cargo where the courier has an IATA airline code reflect that code here. Where the courier does not have an IATA airline code reflect code "000" here  The SARS-assigned code of the Broker where a Master House is reported - i.e. in the case of sub-consolidations
1131	Code list identification code	C an..17	N	Not used												
3055	Code list responsible agency code	C an..3	N	Not used												
C058	Name and address	C	N													
3124	Name and address description	M an..35	N	Not used												
3124	Name and address description	C an..35	N	Not used												
3124	Name and address description	C an..35	N	Not used												
3124	Name and address description	C an..35	N	Not used												
3124	Name and address description	C an..35	N	Not used												
C080	Party name	C	N													
3036	Party name	M an..70	N	Not used												
3036	Party name	C an..70	N	Not used												
3036	Party name	C an..70	N	Not used												
3036	Party name	C an..70	N	Not used												
3036	Party name	C an..70	N	Not used												
3045	Party name format code	C an..3	N	Not used												
C059	Street	C	N													
3042	Street and number or post office box identifier	M an..35	N	Not used												
3042	Street and number or post office box identifier	C an..35	N	Not used												
3042	Street and number or post office box identifier	C an..35	N	Not used												
3042	Street and number or post office box identifier	C an..35	N	Not used												
3164	City name	C an..35	N	Not used												
C819	Country subdivision details	C	N													
3229	Country subdivision identifier	C an..9	N	Not used												
1131	Code list identification code	C an..17	N	Not used												
3055	Code list responsible agency code	C an..3	N	Not used												
3228	Country subdivision name	C an..70	N	Not used												
3251	Postal identification code	C an..17	N	Not used												

No = Consecutive segment number  
 MaxOcc = Maximum occurrence of the segment/group  
 Counter = Counter of segment/group within the standard  
 St = Status  
 EDIFACT: M=Mandatory, C=Conditional  
 User specific: M=Mandatory, O=Optional, C=Conditional

Standard		Implementation														
Tag	Name	St Format	St Format	Usage / Remark	TGO	TGI	DGI	DGO	DCI	ATI	ADI	BGI	STO	STI	SBI	Business Rules
3207	Country identifier	C an..3	N	Not used												

Remark:

Example:  
NAD+MS+ABCD'

No = Consecutive segment number  
 MaxOcc = Maximum occurrence of the segment/group  
 Counter = Counter of segment/group within the standard  
 St = Status  
 EDIFACT: M=Mandatory, C=Conditional  
 User specific: M=Mandatory, O=Optional, C=Conditional



Counter No	Tag	St	MaxOcc	Level	Name
7590	<b>SG163</b>	O	99	2	TRANSPORT DOCUMENT
7600 25	<b>DOC</b>	O	1	2	TRANSPORT DOCUMENT

		Standard	Implementation													Business Rules
Tag	Name	St Format	St Format	Usage / Remark	TGO	TGI	DGI	DGO	DCI	ATI	ADI	BGI	STO	STI	SBI	
DOC					O	O	O	O	M	O	O	O	O	O	O	
C002	Document/message name	M	O													
1001	Document name code	C an..3	O an..3	703 = House waybill	O	O	O	O	M	O	O	O	O	O	O	
1131	Code list identification code	C an..17	N	Not used												
3055	Code list responsible agency code	C an..3	N	Not used												
1000	Document name	C an..35	N	Not used												
C503	Document/message details	C	O													
1004	Document identifier	C an..70	O an..35	TRANSPORT DOCUMENT NUMBER	O	O	O	O	M	M	M	O	O	O	O	<p>In the case of FCL and LCL cargo information submitted by the Carrier, this field will contain the MasterBill Of Lading number.</p> <p>In the case of FCL Groupage cargo information submitted by a Broker , this field will contain the House Bill Of Lading Number.</p> <p>For Air, in the case of a Master Air Waybill in respect of straight cargo, the Master Air Waybill Number will also be reflected here.</p> <p>For air, in the case of consolidated cargo, the House Air Waybill number will be reflected here.</p> <p>In respect of a sub-consolidations the House Air Waybill Number / Bill of Lading Number issued by the co-loading agent to the consignee must be reflected here.</p> <p>For Rail, supply the Rail Consignment Note Number.</p> <p>For Road, this is the Waybill/Invoice Number issued by theCarrier for an individual consignment.</p>
1373	Document status code	C an..3	N	Not used												
1366	Document source description	C an..70	N	Not used												
3453	Language name code	C an..3	N	Not used												
1056	Version identifier	C an..9	N	Not used												
1060	Revision identifier	C an..6	N	Not used												
3153	Communication medium type code	C an..3	N	Not used												
1220	Document copies required quantity	C n..2	N	Not used												
1218	Document originals required quantity	C n..2	N	Not used												

Remark:

Example:

DOC+703+ASTT53465547'

No = Consecutive segment number  
 MaxOcc = Maximum occurrence of the segment/group  
 Counter = Counter of segment/group within the standard

St = Status  
 EDIFACT: M=Mandatory, C=Conditional  
 User specific: M=Mandatory, O=Optional, C=Conditional

Counter No	Tag	St	MaxOcc	Level	Name
7670	<b>SG164</b>	O	99	3	CARGO CARRIER CODE
7680 26	<b>NAD</b>	O	1	3	CARGO CARRIER CODE

		Standard	Implementation													Business Rules
Tag	Name	St Format	St Format	Usage / Remark	TGO	TGI	DGI	DGO	DCI	ATI	ADI	BGI	STO	STI	SBI	
NAD					O	O	O	O	M	O	O	O	O	O	O	
3035	Party function code qualifier	M an..3	O an..3	<b>MS</b> = Document/message issuer/sender	O	O	O	O	M	O	O	O	O	O	O	
C082	Party identification details	C	O													
3039	Party identifier	M an..35	O an..35	<b>CARGO CARRIER CODE</b> Code list: <a href="https://tools.sars.gov.za/ACM_code_Tables/ CargoCarrier*.csv">https://tools.sars.gov.za/ACM_code_Tables/ CargoCarrier*.csv</a>	O	O	O	O	M	O	O	O	O	O	O	The SARS-assigned code of the Broker that reports the House Bill Of Lading/Air Waybill.
1131	Code list identification code	C an..17	N	Not used												
3055	Code list responsible agency code	C an..3	N	Not used												
C058	Name and address	C	N													
3124	Name and address description	M an..35	N	Not used												
3124	Name and address description	C an..35	N	Not used												
3124	Name and address description	C an..35	N	Not used												
3124	Name and address description	C an..35	N	Not used												
3124	Name and address description	C an..35	N	Not used												
C080	Party name	C	N													
3036	Party name	M an..70	N	Not used												
3036	Party name	C an..70	N	Not used												
3036	Party name	C an..70	N	Not used												
3036	Party name	C an..70	N	Not used												
3036	Party name	C an..70	N	Not used												
3045	Party name format code	C an..3	N	Not used												
C059	Street	C	N													
3042	Street and number or post office box identifier	M an..35	N	Not used												
3042	Street and number or post office box identifier	C an..35	N	Not used												
3042	Street and number or post office box identifier	C an..35	N	Not used												
3042	Street and number or post office box identifier	C an..35	N	Not used												
3164	City name	C an..35	N	Not used												
C819	Country subdivision details	C	N													
3229	Country subdivision identifier	C an..9	N	Not used												
1131	Code list identification code	C an..17	N	Not used												
3055	Code list responsible agency code	C an..3	N	Not used												
3228	Country subdivision name	C an..70	N	Not used												
3251	Postal identification code	C an..17	N	Not used												
3207	Country identifier	C an..3	N	Not used												

Remark:

Example:

NAD+MS+44445555'

No = Consecutive segment number  
 MaxOcc = Maximum occurrence of the segment/group  
 Counter = Counter of segment/group within the standard  
 St = Status  
 EDIFACT: M=Mandatory, C=Conditional  
 User specific: M=Mandatory, O=Optional, C=Conditional

Counter No	Tag	St	MaxOcc	Level	Name
8200	SG177	C	9999	2	EQD-SEQ-MEA-SG178-SG182
8210 27	EQD	M	1	2	Equipment details

		Standard	Implementation													
Tag	Name	St Format	St Format	Usage / Remark	TGO	TGI	DGI	DGO	DCI	ATI	ADI	BGI	STO	STI	SBI	Business Rules
EQD																
8053	Equipment type code qualifier	M an..3	M an..3	CN = Container RR = Rail car UL = ULD (Unit load device)	M	M	M	M		M	M	M	M	M	M	
C237	Equipment identification	C	C													
8260	Equipment identifier	C an..17	M an..17	CONTAINER NUMBER/WAGON NUMBER/TRANSPORT EQUIPMENT NUMBER	M	M	M	M		O	O	O	M	M	M	
1131	Code list identification code	C an..17	N	Not used												
3055	Code list responsible agency code	C an..3	N	Not used												
3207	Country identifier	C an..3	N	Not used												
C224	Equipment size and type	C	C													
8155	Equipment size and type description code	C an..10	O an..4	CONTAINER SIZE/TYPE	O	O	O	O					O	O		
1131	Code list identification code	C an..17	N	Not used												
3055	Code list responsible agency code	C an..3	N	Not used												
8154	Equipment size and type description	C an..35	N	Not used												
8077	Equipment supplier code	C an..3	N	Not used												
8249	Equipment status code	C an..3	M an..3	CONTAINER STATUS/LANDED PURPOSE 2 = Export 3 = Import 6 = Transshipment	M	M	M	M					M	M		
8169	Full or empty indicator code	C an..3	M an..3	SERVICE TYPE 4 = Empty [Used to indicate the status of the container.] 4 = Empty 5 = Full (FCL) 7 = Full, mixed consignment (LCL) 8 = Full (Use for FCL Groupage) 4 = Empty 5 = Full	M	M	M	M					M	M		
4233	Marking instructions code	C an..3	N	Not used												

Remark:

Example:

EQD+CN+NONU-1234567+16G0++3+4'

Counter No	Tag	St	MaxOcc	Level	Name
8200	<b>SG177</b>	C	9999	2	EQD-SEQ-MEA-SG178-SG182
8220 28	<b>SEQ</b>	M	1	3	Sequence details

		Standard	Implementation													
Tag	Name	St Format	St Format	Usage / Remark	TGO	TGI	DGI	DGO	DCI	ATI	ADI	BGI	STO	STI	SBI	Business Rules
SEQ																
1229	Action code	C an..3	N	Not used												
C286	Sequence information	C	C													
1050	Sequence position identifier	M an..10	M an..10	Sequence number 1..n												
1159	Sequence identifier source code	C an..3	N	Not used												
1131	Code list identification code	C an..17	N	Not used												
3055	Code list responsible agency code	C an..3	N	Not used												

Remark:

Example:

SEQ++1'

Counter No	Tag	St	MaxOcc	Level	Name
8200	<b>SG177</b>	C	9999	2	EQD-SEQ-MEA-SG178-SG182
8240 29	<b>MEA</b>	C	9	3	Measurements

Standard		Implementation														
Tag	Name	St Format	St Format	Usage / Remark	TGO	TGI	DGI	DGO	DCI	ATI	ADI	BGI	STO	STI	SBI	Business Rules
MEA																
6311	Measurement purpose code qualifier	M an..3	M an..3	<b>AAE = Measurement</b>												
C502	Measurement details	C	C													
6313	Measured attribute code	C an..3	C an..3	<b>AAM = Transport means gross weight</b>												
6321	Measurement significance code	C an..3	N	Not used												
6155	Non-discrete measurement name code	C an..17	N	Not used												
6154	Non-discrete measurement name	C an..70	N	Not used												
C174	Value/range	C	C													
6411	Measurement unit code	C an..8	O an..3	<b>UNIT OF MEASURE KGM = kilogram</b>	O	O	O	O					O	O		
6314	Measure	C an..18	O n..18	<b>GROSS MASS/WEIGHT</b>	O	O	O	O					O	O		
6162	Range minimum quantity	C n..18	N	Not used												
6152	Range maximum quantity	C n..18	N	Not used												
6432	Significant digits quantity	C n..2	N	Not used												
7383	Surface or layer code	C an..3	N	Not used												

Remark:

Example:

MEA+AAE+AAM+KGM: 2500 '

Counter No	Tag	St	MaxOcc	Level	Name
8260	SG178	C	4	3	SEL-SEQ
8270 30	SEL	M	1	3	Seal number

		Standard	Implementation													
Tag	Name	St Format	St Format	Usage / Remark	TGO	TGI	DGI	DGO	DCI	ATI	ADI	BGI	STO	STI	SBI	Business Rules
SEL																
9308	Transport unit seal identifier	C an..35	M an..35	SEAL NUMBER-1	M	M	M	M					M	M		
C215	Seal issuer	C	C													
9303	Sealing party name code	C an..3	O an..3	SEALING PARTY-1 SH = Shipper [Seal as assigned by the Shipping Line.] TO = Terminal operator [On imports, the Seal Number assigned by the Terminal Operator should the Shipper's Seal be damaged.] AA = Consolidator [There will always be two occurrences with the AA qualifier. The first occurrence must always contain the Seal Number found on arrival at the Depot. The second occurrence must contain the Seal Number on unpacking the container. Both these Seal Numbers are mandatory.] CA = Carrier CU = Customs SH = Shipper TO = Terminal operator AA = Consolidator	O	O	O	O						O	O	
1131	Code list identification code	C an..17	N	Not used												
3055	Code list responsible agency code	C an..3	N	Not used												
9302	Sealing party name	C an..35	N	Not used												
4517	Seal condition code	C an..3	N	Not used												
C208	Identity number range	C	N													
7402	Object identifier	M an..35	N	Not used												
7402	Object identifier	C an..35	N	Not used												
4525	Seal type code	C an..3	N	Not used												

Remark:

Example:

SEL+ASDF335643656+SH'

No = Consecutive segment number  
 MaxOcc = Maximum occurrence of the segment/group  
 Counter = Counter of segment/group within the standard  
 St = Status  
 EDIFACT: M=Mandatory, C=Conditional  
 User specific: M=Mandatory, O=Optional, C=Conditional

Counter No	Tag	St	MaxOcc	Level	Name
8260	SG178	C	4	3	SEL-SEQ
8280 31	SEQ	M	1	4	Sequence details

		Standard	Implementation													
Tag	Name	St Format	St Format	Usage / Remark	TGO	TGI	DGI	DGO	DCI	ATI	ADI	BGI	STO	STI	SBI	Business Rules
SEQ																
1229	Action code	C an..3	N	Not used												
C286	Sequence information	C	C													
1050	Sequence position identifier	M an..10	M an..10	Sequence number 1..n												
1159	Sequence identifier source code	C an..3	N	Not used												
1131	Code list identification code	C an..17	N	Not used												
3055	Code list responsible agency code	C an..3	N	Not used												

Remark:

Example:

SEQ++X'

Counter No	Tag	St	MaxOcc	Level	Name
8390	<b>SG182</b>	C	99	3	DOC-GEI-SG183
8400 32	<b>DOC</b>	M	1	3	Document/message details

		Standard	Implementation													
Tag	Name	St Format	St Format	Usage / Remark	TGO	TGI	DGI	DGO	DCI	ATI	ADI	BGI	STO	STI	SBI	Business Rules
DOC																
C002	Document/message name	M	M													
1001	Document name code	C an..3	C an..3	<b>Required for transshipment 760 = Multimodal/combined transport document (generic)</b>	C	C										
1131	Code list identification code	C an..17	N	Not used												
3055	Code list responsible agency code	C an..3	N	Not used												
1000	Document name	C an..35	N	Not used												
C503	Document/message details	C	C													
1004	Document identifier	C an..70	C an..70	<b>ON/PRE-CONVEYANCE NUMBER</b>	C	C										
1373	Document status code	C an..3	N	Not used												
1366	Document source description	C an..70	C an..9	<b>ON/PRE-TRANSPORT ID Required if transshipment</b>	C	C										
3453	Language name code	C an..3	N	Not used												
1056	Version identifier	C an..9	C an..9													
1060	Revision identifier	C an..6	N	Not used												
3153	Communication medium type code	C an..3	N	Not used												
1220	Document copies required quantity	C n..2	N	Not used												
1218	Document originals required quantity	C n..2	N	Not used												

**Remark:**

**Example:**

DOC+760+X:::X'

No = Consecutive segment number  
 MaxOcc = Maximum occurrence of the segment/group  
 Counter = Counter of segment/group within the standard  
 St = Status  
 EDIFACT: M=Mandatory, C=Conditional  
 User specific: M=Mandatory, O=Optional, C=Conditional



Counter No	Tag	St	MaxOcc	Level	Name
8390	<b>SG182</b>	C	99	3	DOC-GEI-SG183
8430 33	<b>GEI</b>	C	9	4	Processing information

		Standard	Implementation													
Tag	Name	St Format	St Format	Usage / Remark	TGO	TGI	DGI	DGO	DCI	ATI	ADI	BGI	STO	STI	SBI	Business Rules
GEI																
9649	Processing information code qualifier	M an..3	M an..3	<b>5</b> = Consignment type information												
C012	Processing indicator	C	C													
7365	Processing indicator description code	C an..3	C an..3	ON/PRE-TRANSPORT CODE <i>Required if transshipment</i> 1 = Maritime 2 = Rail 3 = Road 4 = Air	C	C										
1131	Code list identification code	C an..17	N	Not used												
3055	Code list responsible agency code	C an..3	N	Not used												
7364	Processing indicator description	C an..35	N	Not used												
7187	Process type description code	C an..17	N	Not used												

Remark:

Example:

GEI+5+1'

Counter No	Tag	St	MaxOcc	Level	Name
8440	SG183	C	99	4	NAD
8450 34	NAD	M	1	4	Name and address

		Standard	Implementation		TGO	TGI	DGI	DGO	DCI	ATI	ADI	BGI	STO	STI	SBI	Business Rules
Tag	Name	St Format	St Format	Usage / Remark												
NAD																
3035	Party function code qualifier	M an..3	M an..3	CA = Carrier												
C082	Party identification details	C	C													
3039	Party identifier	M an..35	C an..17	ON/PRE-CARRIER CODE Required if transshipment	C	C										
1131	Code list identification code	C an..17	N	Not used												
3055	Code list responsible agency code	C an..3	N	Not used												
C058	Name and address	C	C													
3124	Name and address description	M an..35	C an5	ON/PRE-PLACE OF DELIVERY Required if transshipment	C	C										
3124	Name and address description	C an..35	N	Not used												
3124	Name and address description	C an..35	N	Not used												
3124	Name and address description	C an..35	N	Not used												
C080	Party name	C	N													
3036	Party name	M an..70	N	Not used												
3036	Party name	C an..70	N	Not used												
3036	Party name	C an..70	N	Not used												
3036	Party name	C an..70	N	Not used												
3036	Party name	C an..70	N	Not used												
3045	Party name format code	C an..3	N	Not used												
C059	Street	C	N													
3042	Street and number or post office box identifier	M an..35	N	Not used												
3042	Street and number or post office box identifier	C an..35	N	Not used												
3042	Street and number or post office box identifier	C an..35	N	Not used												
3042	Street and number or post office box identifier	C an..35	N	Not used												
3164	City name	C an..35	N	Not used												
C819	Country subdivision details	C	N													
3229	Country subdivision identifier	C an..9	N	Not used												
1131	Code list identification code	C an..17	N	Not used												
3055	Code list responsible agency code	C an..3	N	Not used												
3228	Country subdivision name	C an..70	N	Not used												
3251	Postal identification code	C an..17	N	Not used												
3207	Country identifier	C an..3	N	Not used												

Remark:

Example:

NAD+CA+ZAABCD+ZAABC'

No = Consecutive segment number  
 MaxOcc = Maximum occurrence of the segment/group  
 Counter = Counter of segment/group within the standard

St = Status  
 EDIFACT: M=Mandatory, C=Conditional  
 User specific: M=Mandatory, O=Optional, C=Conditional

Counter No	Tag	St	MaxOcc	Level	Name
8530	<b>SG186</b>	M	99	2	CARGO TYPE INDICATOR
8540 35	<b>TDT</b>	M	1	2	Transport information

		Standard	Implementation													Business Rules
Tag	Name	St Format	St Format	Usage / Remark	TGO	TGI	DGI	DGO	DCI	ATI	ADI	BGI	STO	STI	SBI	
TDT					M	M	M	M	M	M	M	M	M	M	M	
8051	Transport stage code qualifier	M an..3	M an..3	<b>20 = Main-carriage transport</b>												
8028	Means of transport journey identifier	C an..17	N	Not used												
C220	Mode of transport	C	N													
8067	Transport mode name code	C an..3	N	Not used												
8066	Transport mode name	C an..17	N	Not used												
C001	Transport means	C	N													
8179	Transport means description code	C an..8	N	Not used												
1131	Code list identification code	C an..17	N	Not used												
3055	Code list responsible agency code	C an..3	N	Not used												
8178	Transport means description	C an..17	N	Not used												
C040	Carrier	C	N													
3127	Carrier identifier	C an..17	N	Not used												
1131	Code list identification code	C an..17	N	Not used												
3055	Code list responsible agency code	C an..3	N	Not used												
3126	Carrier name	C an..35	N	Not used												
8101	Transit direction indicator code	C an..3	N	Not used												
C401	Excess transportation information	C	N													
8457	Excess transportation reason code	M an..3	N	Not used												
8459	Excess transportation responsibility code	M an..3	N	Not used												
7130	Customer shipment authorisation identifier	C an..17	N	Not used												
C222	Transport identification	C	N													
8213	Transport means identification name identifier	C an..35	N	Not used												
1131	Code list identification code	C an..17	N	Not used												
3055	Code list responsible agency code	C an..3	N	Not used												
8212	Transport means identification name	C an..70	N	Not used												
8453	Transport means nationality code	C an..3	N	Not used												
8281	Transport means ownership indicator code	C an..3	N	Not used												
C003	Power type	C	N													
7041	Power type code	C an..3	N	Not used												
1131	Code list identification code	C an..17	N	Not used												
3055	Code list responsible agency code	C an..3	N	Not used												
7040	Power type description	C an..17	N	Not used												

Remark:

Example:  
TDT+20'

No = Consecutive segment number  
 MaxOcc = Maximum occurrence of the segment/group  
 Counter = Counter of segment/group within the standard  
 St = Status  
 EDIFACT: M=Mandatory, C=Conditional  
 User specific: M=Mandatory, O=Optional, C=Conditional

Counter No	Tag	St	MaxOcc	Level	Name
8530	<b>SG186</b>	M	99	2	CARGO TYPE INDICATOR
8550 36	<b>DTM</b>	M	99	3	GATE IN/OUT DATE/TIME

Standard		Implementation														
Tag	Name	St Format	St Format	Usage / Remark	TGO	TGI	DGI	DGO	DCI	ATI	ADI	BGI	STO	STI	SBI	Business Rules
DTM					M	M	M	M	M	M	M	M	M	M	M	
C507	Date/time/period	M	M													
2005	Date or time or period function code qualifier	M an..3	M an..3	<b>6</b> = Moved from location date	M	M	M	M	M	M	M	M	M	M	M	
2380	Date or time or period text	C an..35	M n..12	GATE IN/OUT DATE/TIME	M	M	M	M	M	M	M	M	M	M	M	
2379	Date or time or period format code	C an..3	M an..3	<b>203</b> = CCYYMMDDHHMM	M	M	M	M	M	M	M	M	M	M	M	

**Remark:**  
**Example:**  
 DTM+6:201708011200:203'

Counter No	Tag	St	MaxOcc	Level	Name
8530	<b>SG186</b>	M	99	2	CARGO TYPE INDICATOR
8630 37	<b>GDS</b>	M	99	3	Nature of cargo

Standard		Implementation														
Tag	Name	St Format	St Format	Usage / Remark	TGO	TGI	DGI	DGO	DCI	ATI	ADI	BGI	STO	STI	SBI	Business Rules
GDS					M	M	M	M	M	M	M	M	M	M	M	
C703	Nature of cargo	C	M													
7085	Cargo type classification code	M an..3	M an..3	CARGO TYPE INDICATOR DB = Dry bulk LB = Liquid bulk BB = Break Bulk CN = Container MX = Mixed Cargo ZZZ = South African Revenue Service	M	M	M	M	M	M	M	M	M	M	M	
1131	Code list identification code	C an..17	C an..17	ZZZ = South African Revenue Service												
3055	Code list responsible agency code	C an..3	N	Not used												
C288	Product group	C	N													
5389	Product group name code	C an..25	N	Not used												
1131	Code list identification code	C an..17	N	Not used												
3055	Code list responsible agency code	C an..3	N	Not used												
5388	Product group name	C an..35	N	Not used												

Remark:

Example:

GDS+CN:ZZZ'

No = Consecutive segment number  
 MaxOcc = Maximum occurrence of the segment/group  
 Counter = Counter of segment/group within the standard  
 St = Status  
 EDIFACT: M=Mandatory, C=Conditional  
 User specific: M=Mandatory, O=Optional, C=Conditional

Counter No	Tag	St	MaxOcc	Level	Name
12040	SG267	O	9999	2	LIN-SG271
12050 38	LIN	O	1	2	Line item

		Standard	Implementation													
Tag	Name	St Format	St Format	Usage / Remark	TGO	TGI	DGI	DGO	DCI	ATI	ADI	BGI	STO	STI	SBI	Business Rules
LIN					O	M	M	O	M	M	M	M	O	M	M	
1082	Line item identifier	C an..6	C an..6	Sequence Number 1..n												
1229	Action code	C an..3	N	Not used												
C212	Item number identification	C	N													
7140	Item identifier	C an..35	N	Not used												
7143	Item type identification code	C an..3	N	Not used												
1131	Code list identification code	C an..17	N	Not used												
3055	Code list responsible agency code	C an..3	N	Not used												
C829	Sub-line information	C	N													
5495	Sub-line indicator code	C an..3	N	Not used												
1082	Line item identifier	C an..6	N	Not used												
1222	Configuration level number	C n..2	N	Not used												
7083	Configuration operation code	C an..3	N	Not used												

Remark:

Example:

LIN+1'

Counter No	Tag	St	MaxOcc	Level	Name
12190	<b>SG271</b>	C	99	3	MRN
12200 39	<b>DOC</b>	M	1	3	Document/message details

		Standard	Implementation													
Tag	Name	St Format	St Format	Usage / Remark	TGO	TGI	DGI	DGO	DCI	ATI	ADI	BGI	STO	STI	SBI	Business Rules
DOC																
C002	Document/message name	M	O													
1001	Document name code	C an..3	C an..3	914 = Customs declaration with commercial and item detail												
1131	Code list identification code	C an..17	N	Not used												
3055	Code list responsible agency code	C an..3	N	Not used												
1000	Document name	C an..35	N	Not used												
C503	Document/message details	C	O													
1004	Document identifier	C an..70	C an..35	MRN												
1373	Document status code	C an..3	N	Not used												
1366	Document source description	C an..70	N	Not used												
3453	Language name code	C an..3	N	Not used												
1056	Version identifier	C an..9	N	Not used												
1060	Revision identifier	C an..6	N	Not used												
3153	Communication medium type code	C an..3	N	Not used												
1220	Document copies required quantity	C n..2	N	Not used												
1218	Document originals required quantity	C n..2	N	Not used												

Remark:

Example:

DOC+914+DBN201708011234567'

No = Consecutive segment number  
 MaxOcc = Maximum occurrence of the segment/group  
 Counter = Counter of segment/group within the standard

St = Status  
 EDIFACT: M=Mandatory, C=Conditional  
 User specific: M=Mandatory, O=Optional, C=Conditional

Counter	No	Tag	St	MaxOcc	Level	Name
13530	40	<b>UNS</b>	M	1	0	Section control

		Standard	Implementation													
Tag	Name	St Format	St Format	Usage / Remark	TGO	TGI	DGI	DGO	DCI	ATI	ADI	BGI	STO	STI	SBI	Business Rules
UNS																
0081	Section identification	M a1	M a1	<b>S</b> = Detail/summary section separation												

Remark:

Example:

UNS+S'



Counter	No	Tag	St	MaxOcc	Level	Name
13560	41	<b>UNT</b>	M	1	0	Message trailer

		Standard	Implementation													
Tag	Name	St Format	St Format	Usage / Remark	TGO	TGI	DGI	DGO	DCI	ATI	ADI	BGI	STO	STI	SBI	Business Rules
UNT																
0074	Number of segments in a message	M n..10	M n..10													
0062	Message reference number	M an..14	M an..14	Must match UNH												

**Remark:**  
**Example:**  
 UNT+1050+12345678901234'

Counter	No	Tag	St	MaxOcc	Level	Name
0000	42	<b>UNZ</b>	M	1	0	Interchange trailer

		Standard	Implementation													
Tag	Name	St Format	St Format	Usage / Remark	TGO	TGI	DGI	DGO	DCI	ATI	ADI	BGI	STO	STI	SBI	Business Rules
UNZ																
0036	Interchange control count	M n..6	M n..6	Number of messages in Interchange												
0020	Interchange control reference	M an..14	M an..14	Must be same as UNB												

Remark:

Example:  
UNZ+1+12345678901234'

No = Consecutive segment number  
 MaxOcc = Maximum occurrence of the segment/group  
 Counter = Counter of segment/group within the standard

St = Status  
 EDIFACT: M=Mandatory, C=Conditional  
 User specific: M=Mandatory, O=Optional, C=Conditional